

# CAPITAL — STOVES —

LEADING SUPPLIER OF LUXURY STOVES



# Welcome

**At Capital Stoves, our commitment to excellence, exceptional craftsmanship and sophisticated designs sets us apart as a trusted provider of premium heating solutions.**

We understand the importance of finding the perfect stove to enhance your home which is why we offer an exceptional range of electric, gas and wood burning stoves that will transform your living space into a cosy sanctuary.

Our range of contemporary and traditional stoves are all meticulously crafted from the finest materials by our specially selected manufacturers. Our partnership with accredited manufacturers is based on a shared vision of delivering exceptional products that embody the highest levels of workmanship and reliability.

In addition to our stunning array of stoves, we also provide a comprehensive range of accessories to seamlessly integrate any Capital stove into your room whilst complementing your décor.

We invite you to explore our brochure and discover the remarkable range of stoves that we have to offer.



A stove should simultaneously reflect your style and provide practical functionality. At Capital Stoves, we are committed to the continual development of our range to provide innovative designs that meet the needs of our customers.



*Andy Hitchman*

**Managing Director**

# Contents

<b>Eco 2022 Compliant Stoves</b>		<b>Cylindrical Stoves</b>	
<b>Traditional Stoves</b>		Holsworthy 5 Eco	46-47
Avebury Eco	8-9	<b>Inset Stoves</b>	
Bassington Compact	10-11	Ashbrook Eco	48-49
Bassington Eco Baseline	12-13	Savona Eco	50-51
Bassington Eco Grande	14-15	<b>Gas Stoves</b>	
Bassington Eco	16-17	Bassington	52-53
Bassington Eco Skirted	18-19	<b>Electric Stoves</b>	
Bassington Eco Canopy	20-23	Bassington etronic	54-55
Ridgmont 5 Eco	24-25	Blackthorn etronic	56-57
Scene Eco	26-27	SLE42s etronic	58-59
Sigma Eco	28-29	<b>Accessories</b>	
Sigma Eco Canopy	30-31	Glass Hearths	60-61
Vega Edge 200SL Eco	32-33	Chambers	62-65
Woodrow 4 Eco	34-35	Geocast Beams	66-72
Woodrow 5 Eco	36-37	Tiled Hearths	73
Woodrow 5 Eco Quad	38-39		
<b>Contemporary Stoves</b>			
Panamera Eco	40-43		
Verena Eco	44-45		

# ECO2022

## COMPLIANT STOVES

DEFRA, the Department of the Environment, Fisheries and Rural Affairs, included wood burning stoves in their 2019 Clean Air Strategy. Their aim by doing this is to reduce the amount of harmful emissions that affect air quality by ensuring stove manufacturers improve the performance and efficiency of their stoves.

By January 2022 it will be law that all solid fuel appliances sold after that date have to be Eco Design Compliant. To be Eco Design Compliant, stoves will need to significantly improve emissions when compared to current stoves on the market or to open fires.

Capital Stoves displaying the **Eco 2022** logo shown in this brochure, have been tested in an independent approved test house and have achieved the requirements of Eco Design Regulations. Registration has also been made with **HETAS** (Hetas is a national organisation working for consumer safety and the wider public interest in safe, efficient and environmentally responsible use of biomass and other solid fuels) and **DEFRA**.

A requirement of Eco Design Regulations is that all gas and multi fuel appliances display an energy rating. All Capital Eco 2022 Ready Stoves have A or A+ ratings.

At Capital we launched our first range of fully compliant Eco 2022 Ready Stoves in 2018. We were proud to do this knowing we were one of the first companies to have stoves that were already achieving the necessary



standards. Look out for the **Eco 2022 logo**, complemented by the **HETAS** and **DEFRA** registrations as shown below and throughout the brochure. These stoves not only reduce the level of harmful air pollutants but they also run more efficiently using less fuel, so will cost less to operate.

**Improving our carbon footprint is a key part of our business philosophy. Vital to that strategy is our continued work on Eco 2022 Ready Stoves and our partnership with the National Forest.**







THE NATIONAL  
FOREST



# MAKE YOUR MARK. PLANT A TREE.

Since 2019, Capital Fireplaces has been in partnership with The National Forest. We are proud to support one of Britain's biggest environmental projects, covering 200 square miles of Leicestershire, Derbyshire, and Staffordshire.

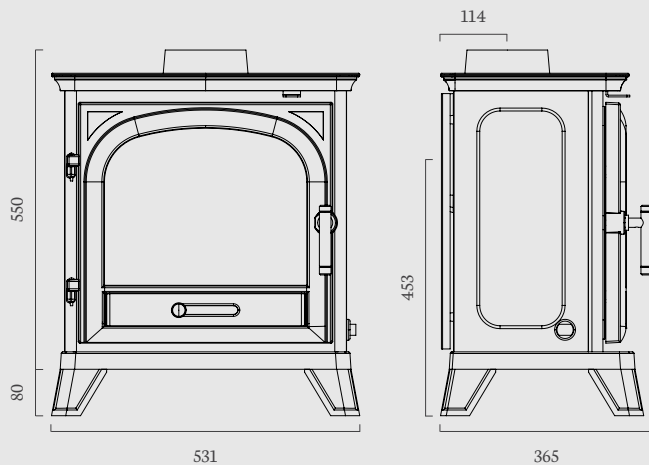
**For every Capital Eco Stove that is purchased, you are helping to grow the National Forest and create woodland habitats that will benefit people and wildlife for years to come. Simply look out for the National Forest logo throughout this brochure.**

In 27 years, the National Forest has grown the region's woodland cover from 6% to 21%. By supporting this initiative, you're helping us to make habitats for wildlife and grow a healthier, happier Britain. For more information about the National Forest please visit [www.nationalforest.org](http://www.nationalforest.org)

The Avebury Eco is a highly efficient, multi fuel stove from our Eco 2022 stove range. DEFRA approved for burning wood in a smoke control area, the Avebury is constructed from cast iron for durability and maximum heat.

Featuring a large, arched glass picture window and airwash system for maintaining an optimal view of the flames, the Avebury is supported by the Capital Lifetime Warranty and is suitable to be fitted on a light duty hearth as pictured here with a 20mm polished granite hearth and rear flue exit.

Nominal Heat Output & Range:	5kW (2.5-8kW)
Efficiency:	Up to 84%
Flue Exit:	Top or Rear
Flue Size:	125mm
Ventilation:	Not normally required (see page 75)
Suitable for a Light Duty Hearth:	Yes



Clearance to combustibles is 600mm, clearance to non-combustibles is 50mm. Please refer to the installation instructions for more info.







A+

**Designed for the  
smaller room or  
fireplace**





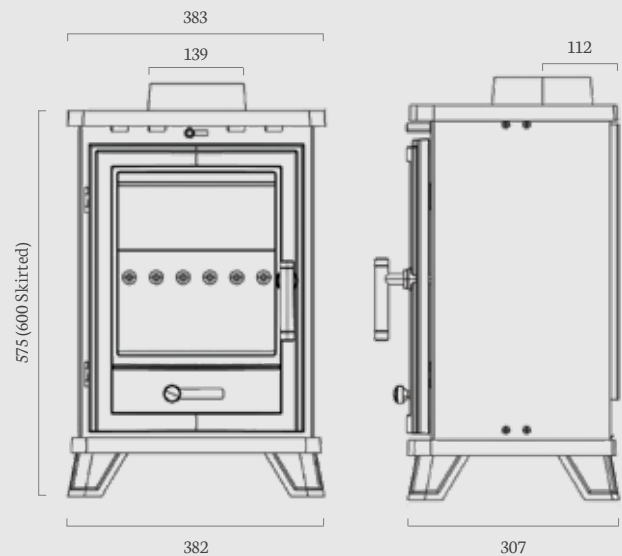
A

## Bassington Compact



The Bassington Compact is a highly efficient, multifuel stove from our Eco 2022 range specifically designed for the smaller room or fireplace opening. Defra approved for burning wood in a smoke-controlled area, the Bassington Compact is constructed from cast iron and steel for durability and maximum heat. The Bassington Compact is available with Standard, Skirted or Baseline legs.

Nominal Heat Output & Range:	5kW
Efficiency:	Up to 82%
Flue Exit:	Top or Rear
Flue Size:	125mm
Ventilation:	Not normally required (see page 75)
Suitable for a Light Duty Hearth:	No



Clearance to combustibles is 600mm, clearance to non-combustibles is 50mm. Please refer to the installation instructions for more info.



lifetime  
warranty





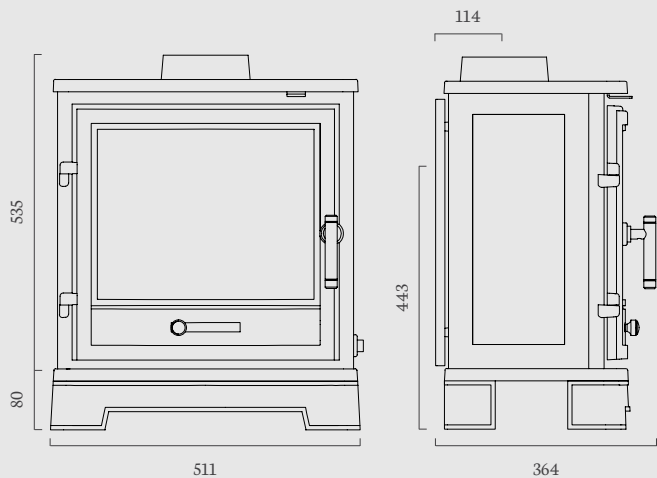
Warm White Enamel

## Bassington Eco Baseline



The Bassington Eco is a highly efficient, multi fuel stove from our Eco 2022 stove range. DEFRA approved, the Bassington is constructed from cast iron for durability and maximum heat and is supported by the Capital Lifetime Warranty. Featuring a large glass picture window and airwash system, the Bassington Eco Baseline is pictured to the left inside a black reeded chamber.

Nominal Heat Output & Range:	5kW (2.5-8kW)
Efficiency:	Up to 84%
Flue Exit:	Top or Rear
Flue Size:	125mm
Ventilation:	Not normally required (see page 75)
Suitable for a Light Duty Hearth:	No



Clearance to combustibles is 600mm, clearance to non-combustibles is 50mm. Please refer to the installation instructions for more info.

New



lifetime  
warranty

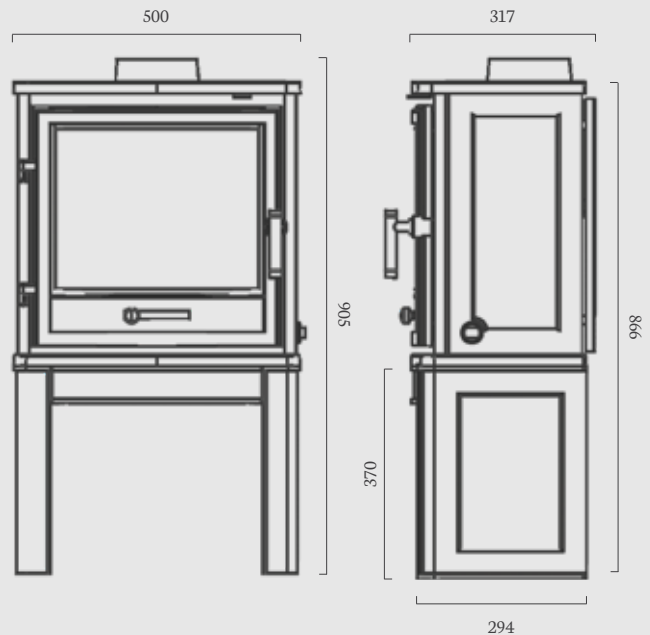




**A+**

The Bassington Eco Grande is yet another example of how versatile this stove is. The Grande log store raises the height of the stove, elevating the large glass window for optimum flame viewing. Providing easy access to your logs, the Grande log store presents a more contemporary look to an otherwise traditional stove.

Output:	5kW (2.5-8kW)
Efficiency:	Up to 84%
Flue Exit:	Top or Rear
Flue Size:	125mm
Ventilation:	Not normally required (see page 75)
Suitable for a Light Duty Hearth:	Yes



Clearance to combustibles is 600mm, clearance to non-combustibles is 50mm. Please refer to the installation instructions for more info.



lifetime  
warranty





BASSINGTON ECO STOVE RECOMMENDED #1 BEST  
WOOD BURNING STOVE BY THE DAILY TELEGRAPH\*



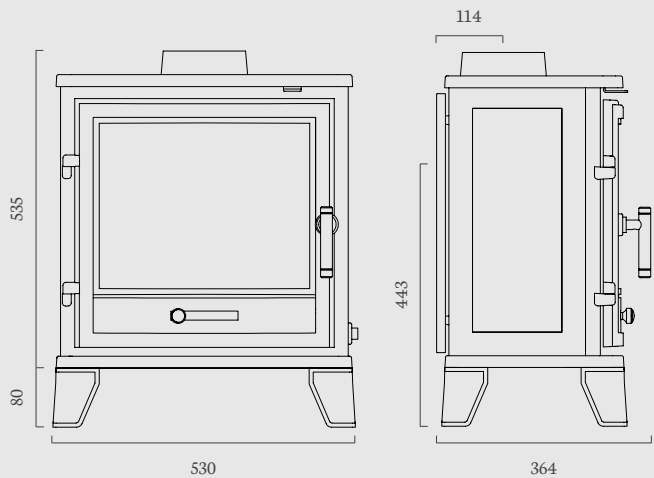
Warm White Enamel

## Bassington Eco



The Bassington Eco is a highly efficient, multi fuel stove from our Eco 2022 stove range. DEFRA approved, the Bassington is constructed from cast iron for durability and maximum heat and is supported by the Capital Lifetime Warranty. Featuring a large glass picture window and airwash system, the Bassington is shown here with the Appledore 54" Aegean Limestone mantel and Riven Slate chamber.

Nominal Heat Output & Range:	5kW (2.5-8kW)
Efficiency:	Up to 84%
Flue Exit:	Top or Rear
Flue Size:	125mm
Ventilation:	Not normally required (see page 75)
Suitable for a Light Duty Hearth:	Yes



Clearance to combustibles is 600mm, clearance to non-combustibles is 50mm. Please refer to the installation instructions for more info.





Warm White Enamel

## Bassington Eco Skirted



The Bassington Eco is a highly efficient, multi fuel stove from our Eco 2022 stove range. DEFRA approved for burning wood in a smoke control area, it is constructed from cast iron for durability and maximum heat. Featuring a large glass picture window and airwash system for maintaining an optimal view of the flames, the Bassington is supported by the Capital Lifetime Warranty for added peace of mind.

Nominal Heat Output & Range: 5kW (2.5-8kW)

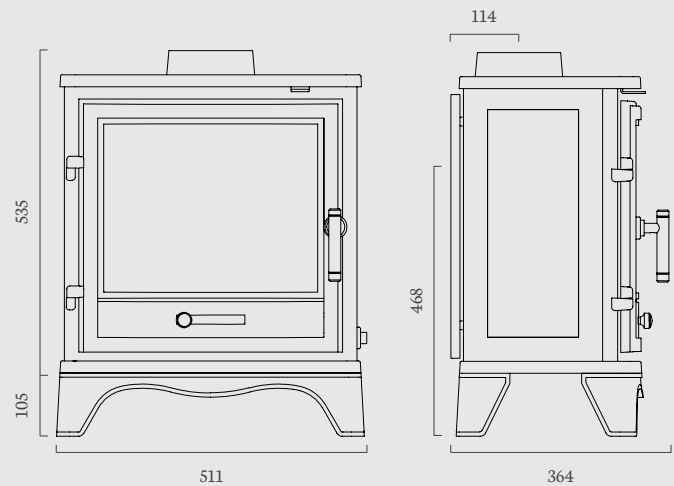
Efficiency: Up to 84%

Flue Exit: Top or Rear

Flue Size: 125mm

Ventilation: Not normally required (see page 75)

Suitable for a Light Duty Hearth: Yes



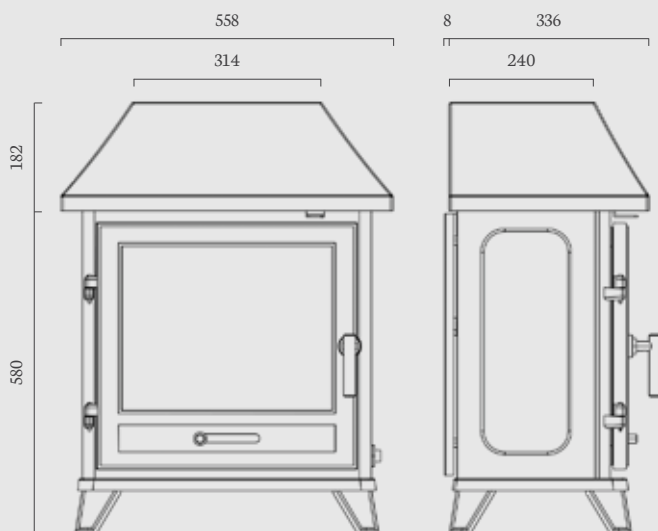
Clearance to combustibles is 600mm, clearance to non-combustibles is 50mm. Please refer to the installation instructions for more info.



The Bassington Eco Canopy stove is yet another versatile addition to our range of Eco 2022 stoves. With a choice of three different leg sets, the Bassington Eco Canopy is the ideal statement piece for any fireplace, be it a traditional inglenook or chamber lined opening with a beam.

For maximum heat and durability, the Bassington Eco stove is constructed from cast iron and the canopy is constructed from steel.

Nominal Heat Output & Range:	5kw(2.5-8kw)
Efficiency:	Up to 84%
Flue Exit:	Top or Rear
Flue Size:	125mm
Ventilation:	Not normally required (see page 75)
Suitable for a Light Duty Hearth:	Yes



Clearance to combustibles is 600mm, clearance to non-combustibles is 50mm.

Please refer to the installation instructions for more info.



New







New



lifetime  
warranty

outside  
air kit  
available





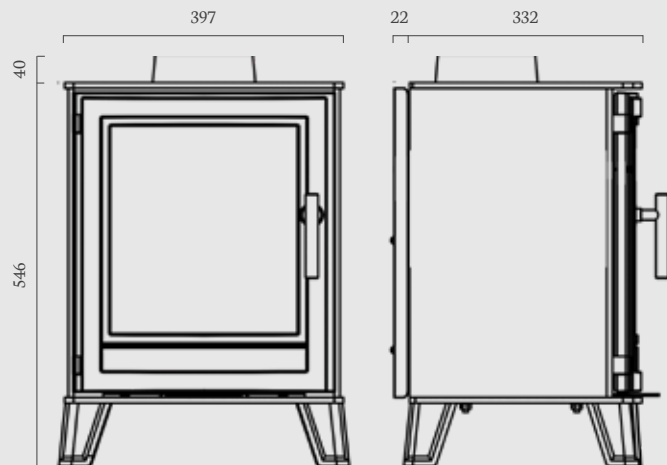


# Ridgmont 5 Eco Wood Only



New for 2023, the Ridgmont 5 Eco stove is an exciting addition to our range of Eco 2022 stoves. The Ridgmont has been designed with subtle details featuring clean lines, a large window and splayed legs. The result is a well-balanced stove that will compliment both contemporary and traditional living spaces. Constructed from steel and cast iron for durability and maximum heat, the Ridgmont Eco stove is covered by our Capital Lifetime Warranty.

Nominal Heat Output & Range:	5kW
Efficiency:	Up to 83%
Flue Exit:	Top or Rear
Flue Size:	125mm
Ventilation:	Not normally required (see page 75)
Suitable for a Light Duty Hearth:	Yes
Outside Air Kit available:	Yes



Clearance to combustibles is 200mm rear & 400mm side, clearance to non-combustibles is 50mm. Please refer to the installation instructions for more info.





lifetime  
warranty



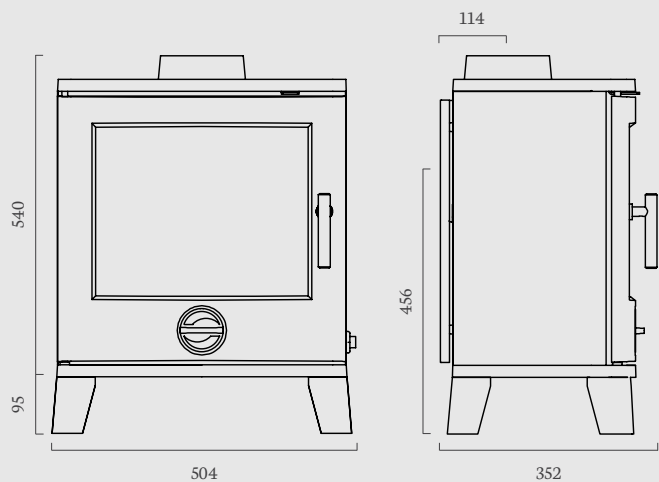


## Scene Eco



The Scene Eco is a highly efficient, multi fuel stove from our Eco 2022 stove range. DEFRA approved, the Scene Eco is constructed from cast iron for durability and maximum heat. Featuring a large glass picture window and airwash system, this stove is also supported by the Capital Lifetime Warranty.

Nominal Heat Output & Range:	5kW (2.5-8kW)
Efficiency:	Up to 84%
Flue Exit:	Top or Rear
Flue Size:	125mm
Ventilation:	Not normally required (see page 75)
Suitable for a Light Duty Hearth:	Yes



Clearance to combustibles is 600mm, clearance to non-combustibles is 50mm. Please refer to the installation instructions for more info.



lifetime  
warranty



SIGMA ECO STOVE RECOMMENDED #3 BEST WOOD  
BURNING STOVE BY THE DAILY TELEGRAPH\*

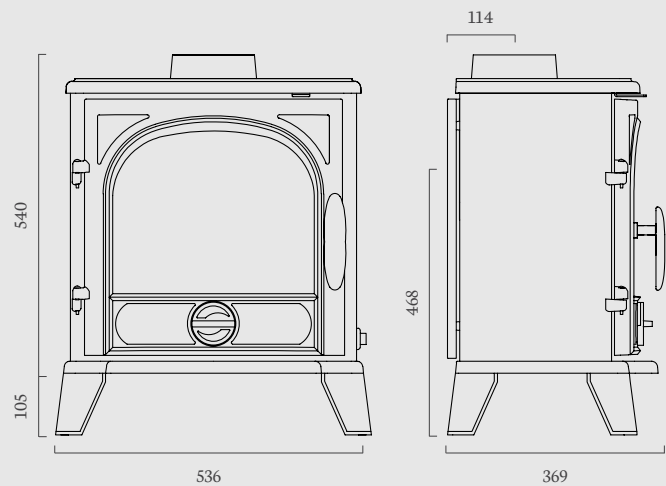


Sigma Eco



The Sigma Eco is a highly efficient, multi fuel stove from our Eco 2022 stove range. DEFRA approved, the Sigma Eco is supported by the Capital Lifetime Warranty and is constructed from cast iron for durability and maximum heat. Featuring a large, arched glass picture window and airwash system.

Nominal Heat Output & Range:	5kW (2.5-8kW)
Efficiency:	Up to 84%
Flue Exit:	Top or Rear
Flue Size:	125mm
Ventilation:	Not normally required (see page 75)
Suitable for a Light Duty Hearth:	Yes

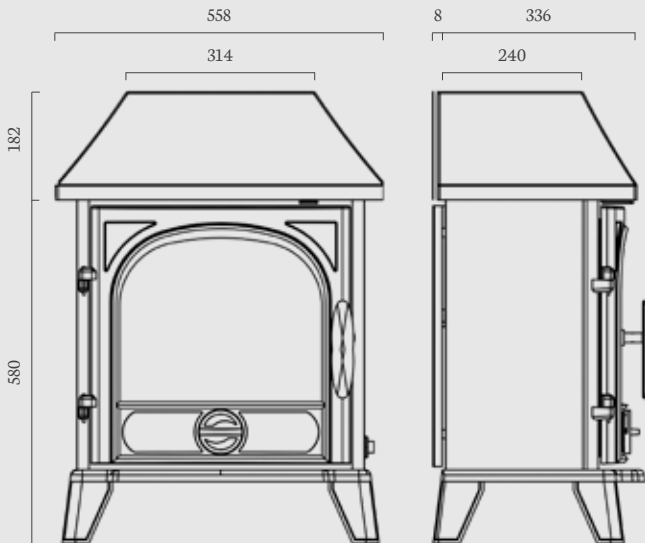


Clearance to combustibles is 600mm, clearance to non-combustibles is 50mm. Please refer to the installation instructions for more info.



The Sigma Eco Canopy stove is a welcome addition to our ever-expanding range of Eco 2022 stoves. This stove is the perfect statement piece for an inglenook fireplace or other traditional setting. The subtle curves of the canopy perfectly compliment the detailing on the body of the Sigma stove and its large arched window. For maximum heat and durability, the Sigma stove is constructed from cast iron and the canopy is constructed from steel.

Nominal Heat Output & Range:	5kw(2.5-8kw)
Efficiency:	Up to 84%
Flue Exit:	Top or Rear
Flue Size:	125mm
Ventilation:	Not normally required (see page 75)
Suitable for a Light Duty Hearth:	Yes



*Clearance to combustibles is 600mm, clearance to non-combustibles is 50mm. Please refer to the installation instructions for more info.*



New



lifetime  
warranty



A+







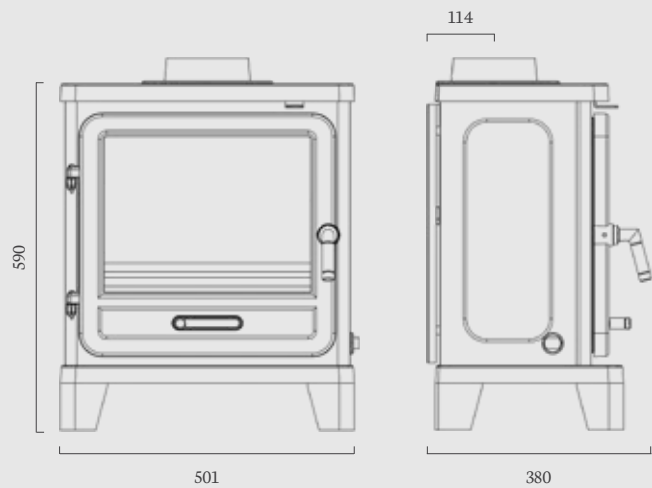
Warm White Enamel (Special Order)

## Vega Edge 200SL Eco



The Vega Edge 200SL Eco is a highly efficient, multi fuel stove from our Eco 2022 stove range. DEFRA approved, the Vega Eco is supported by the Capital Lifetime Warranty and is constructed from cast iron for durability and maximum heat. Featuring a large glass picture window and airwash system, the Vega Edge also has a stylish contrasting silver handle and air wash controller.

Nominal Heat Output & Range:	5kW (2.5-8kW)
Efficiency:	Up to 84%
Flue Exit:	Top or Rear
Flue Size:	125mm
Ventilation:	Not normally required (see page 75)
Suitable for a Light Duty Hearth:	Yes



Clearance to combustibles is 600mm, clearance to non-combustibles is 50mm. Please refer to the installation instructions for more info.

Designed for the smaller room or fireplace

lifetime warranty



outside air kit available



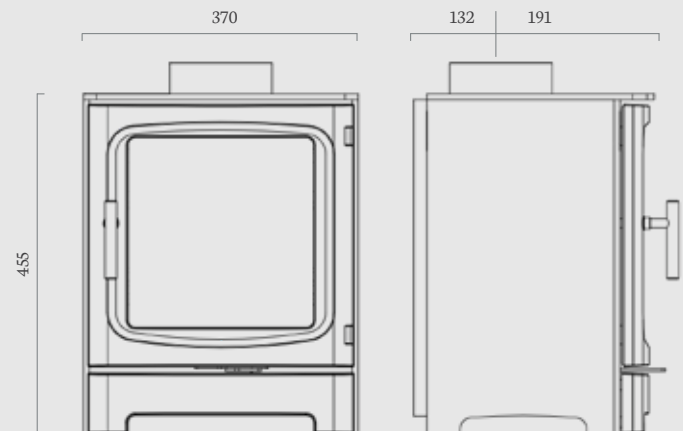


## Woodrow 4 Eco Wood Only



The Woodrow 4 Eco is one of the latest and most exciting additions to our Eco 2022 stove range, a compact wood only log burner designed for smaller rooms or narrow chimney openings. Constructed from steel and cast iron for durability and maximum heat, this stove features an airwash system for maintaining an optimal view of the flames and is supported by the Capital Lifetime Warranty.

Nominal Heat Output & Range:	4kW
Efficiency:	Up to 77%
Flue Exit:	Top
Flue Size:	125mm
Ventilation:	Not normally required (see page 75)
Suitable for a Light Duty Hearth:	No
Outside Air Kit available:	Yes



Clearance to combustibles is 600mm, clearance to non-combustibles is 50mm. Please refer to the installation instructions for more info.

Designed for the smaller room or fireplace

lifetime warranty



outside air kit available



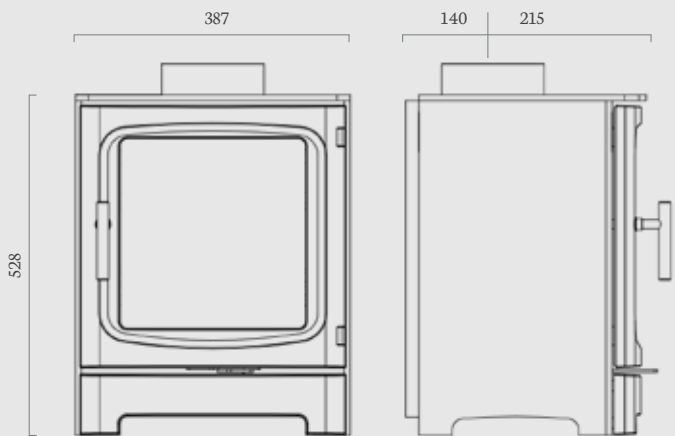


## Woodrow 5 Eco Wood Only



Slightly larger than the Woodrow 4 Eco stove and therefore offering a bigger glass picture window, the Woodrow 5 Eco is another exciting addition to our Eco 2022 stove range. Constructed from steel and cast iron for durability and maximum heat, this stove features an airwash system for maintaining an optimal view of the flames and is supported by the Capital Lifetime Warranty.

Nominal Heat Output & Range:	5kW
Efficiency:	Up to 83%
Flue Exit:	Top or Rear
Flue Size:	125mm
Ventilation:	Not normally required (see page 75)
Suitable for a Light Duty Hearth:	Yes
Outside Air Kit available:	Yes



Clearance to combustibles is 600mm, clearance to non-combustibles is 50mm.

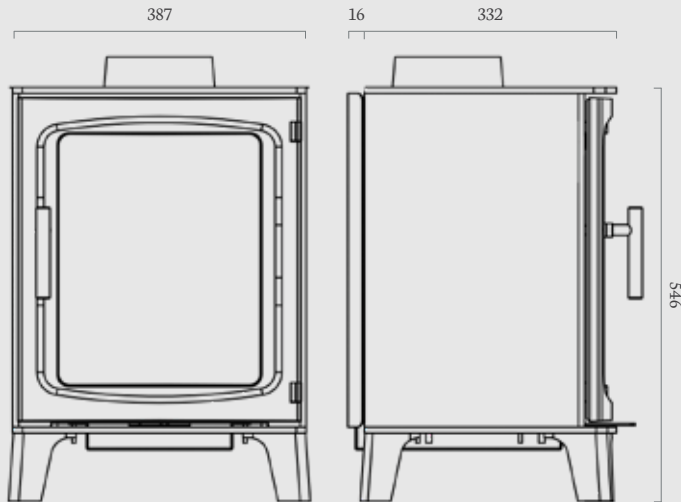
Please refer to the installation instructions for more info.

# Woodrow 5 Eco Quad Wood Only



New for 2023, the Woodrow 5 Eco Quad stove offers the same amazing features as the Woodrow 5 with the addition of a new, stylish quad leg set. Featuring a large glass window and airwash system, the Woodrow 5 Eco Quad delivers optimal flame viewing. Constructed from steel and cast iron for durability and maximum heat, this stove is also covered under the Capital Lifetime Warranty for added peace of mind.

Output:	5kW
Efficiency:	Up to 83%
Flue Exit:	Top or Rear
Flue Size:	125mm
Ventilation:	Not normally required (see page 75)
Suitable for a Light Duty Hearth:	Yes
Outside Air Kit available:	Yes



Clearance to combustibles is 200mm rear & 400mm side, clearance to non-combustibles is 50mm. Please refer to the installation instructions for more info.



New

outside  
air kit  
available



lifetime  
warranty



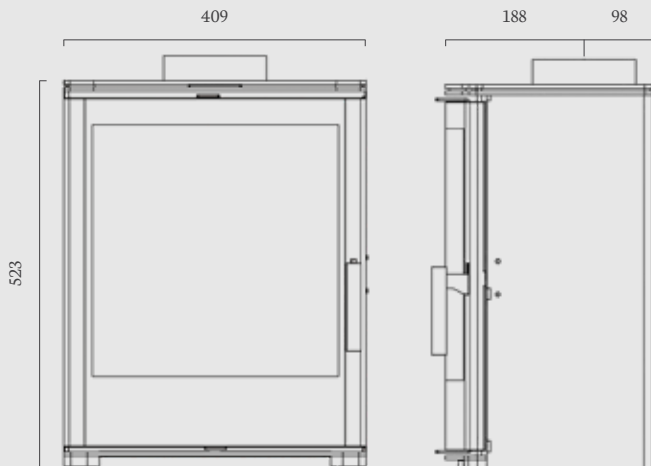
A+



The Panamera Eco is a highly efficient, superior stove from our Eco 2022 stove range. DEFRA approved for burning wood in a smoke control area, the Panamera Eco is constructed from steel for contemporary styling and efficient heating.

Featuring a large, curved glass picture window and airwash system for maintaining an optimal view of the roaring flames, the Panamera Eco is supported by the Capital Lifetime Warranty and is also available with two additional leg options, as seen on pages 42 and 43.

Nominal Heat Output & Range:	4.9kW
Efficiency:	Up to 84%
Flue Exit:	Top or Rear
Flue Size:	125mm
Ventilation:	Not normally required (see page 75)
Suitable for a Light Duty Hearth:	Only with Supreme Legs



*Clearance to combustibles to the top is 400mm and 300mm to the sides, clearance to non-combustibles is 50mm. Please refer to the installation instructions for more info.*







lifetime  
warranty



A

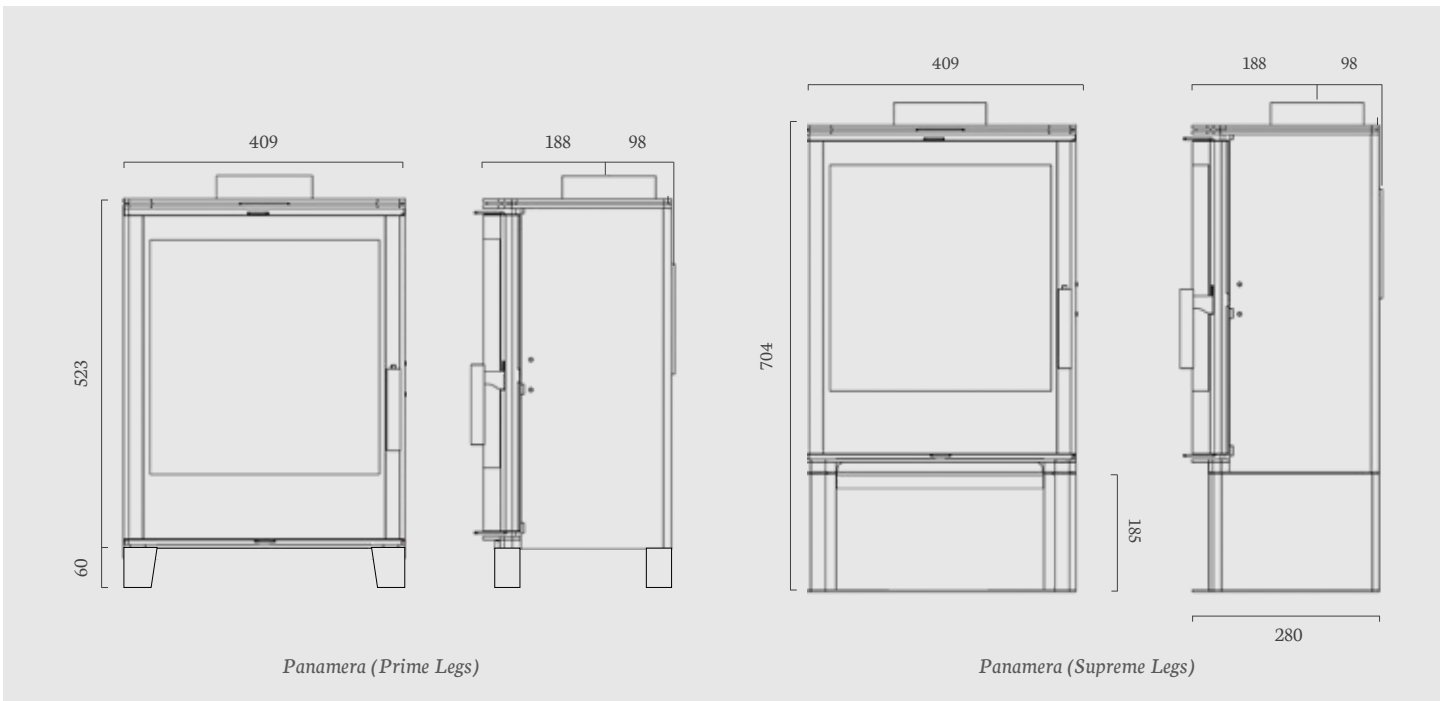


lifetime  
warranty





Panamera Eco with Supreme Leg Set





Supreme Leg

Standard Leg

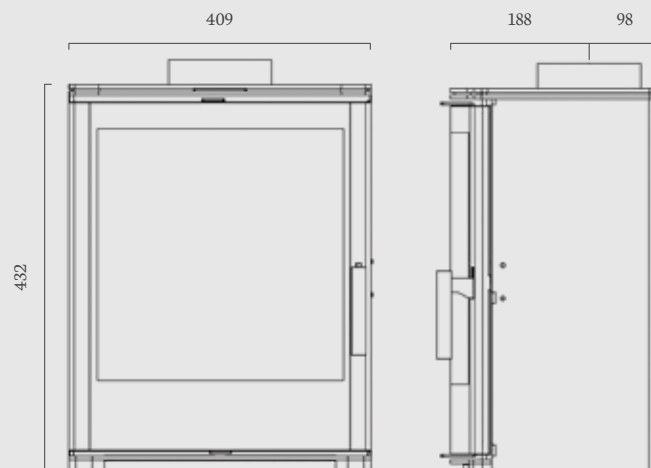
## Verena Eco Wood Only



The Verena Eco stove is sleek, compact and highly efficient. With a curved body and matching glass, you're assured an excellent view of the flickering flames, whilst it is supported by the Capital Lifetime Warranty for complete peace of mind.

The Verena is DEFRA approved for burning wood in a smoke control area, boasting maximum performance and a contemporary look – giving you the power to completely transform a room!

Nominal Heat Output & Range:	4.9kW
Efficiency:	Up to 76%
Flue Exit:	Top
Flue Size:	125mm
Ventilation:	Not normally required (see page 75)
Suitable for a Light Duty Hearth:	Only with Supreme Legs



See page 43 for Prime and Supreme Leg dimensions. Clearance to combustibles to the top is 400mm and 300mm to the sides, clearance to non-combustibles is 50mm. Please refer to the installation instructions for more info.



Designed for the smaller room or fireplace



A

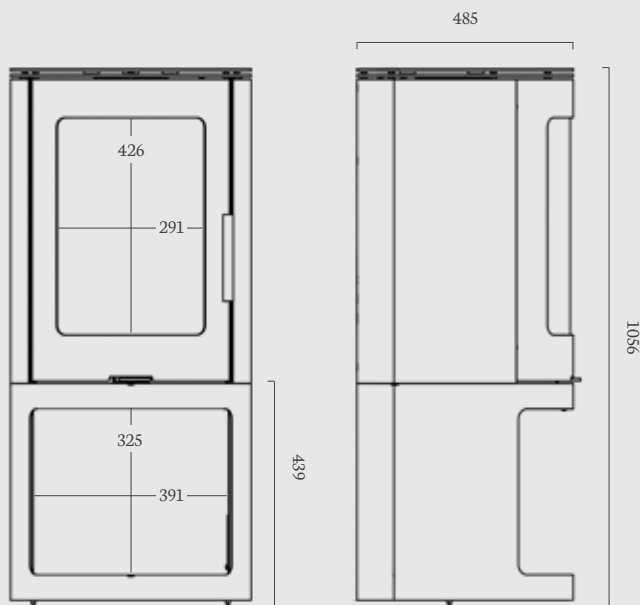


# Holworthy 5 Eco



New for 2023! The Holworthy cylindrical stove is a welcome addition to our ECO 2022 range. Featuring a large window and built-in log store, the Holworthy is contemporary and stylish. Not only is the Holworthy visually stunning, the built-in open log store provides a functional element that allows you to keep your logs within easy reach for effortless convenience. The curved door with its large, portrait window gives an unprecedented and immersive view of the fire within. The gentle curves of the Holworthy stove enable it to effortlessly blend into any home, creating a charming centrepiece or seamlessly connecting homely spaces.

Nominal Heat Output & Range:	4.9kW
Efficiency:	Up to 78%
Flue Exit:	Top or Rear
Flue Size:	125mm
Ventilation:	Not normally required (see page 75)
Suitable for a Light Duty Hearth:	Yes
Outside Air Kit available:	Yes



Clearance to combustibles is 50mm to rear and 250mm to sides, clearance to non-combustibles is 50mm. Please refer to the installation instructions for more info.



New

outside  
air kit  
available



lifetime  
warranty



A+

5 year warranty





**Hidden handle**  
option also available

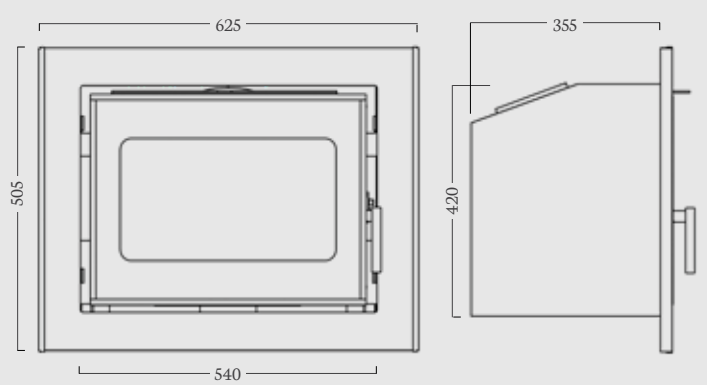


Ashbrook Eco with steel trim and hidden handle

Ashbrook **Eco** Wood Only HETAS defra

Our Ashbrook Eco inset cassette stoves have been designed to create a stunning focal point in any room and are available with a black glass or steel trim complete with a cool touch handle. They meet the 2022 emission standards and incorporate the latest technology that ensures they burn fuel with superior efficiency. So, as well as the attractive contemporary design, the Ashbrook Eco cassette stove will mean lower fuel costs, as more heat is delivered into your room.

Nominal Heat Output:	4.7kW
Efficiency:	Up to 82%
Flue Exit:	Top
Flue Size:	125mm
Ventilation:	Not normally required (see page 75)



Dimensions include a 50mm 4 sided black glass or steel trim  
 Clearance to combustibles:  
 Back: 250mm, Sides: 200mm, Shelf: 800mm, Floor: 450mm  
 Please refer to the installation instructions for more info.



lifetime  
warranty



Savona with a 4 Sided Trim  
& Honed Granite Slips

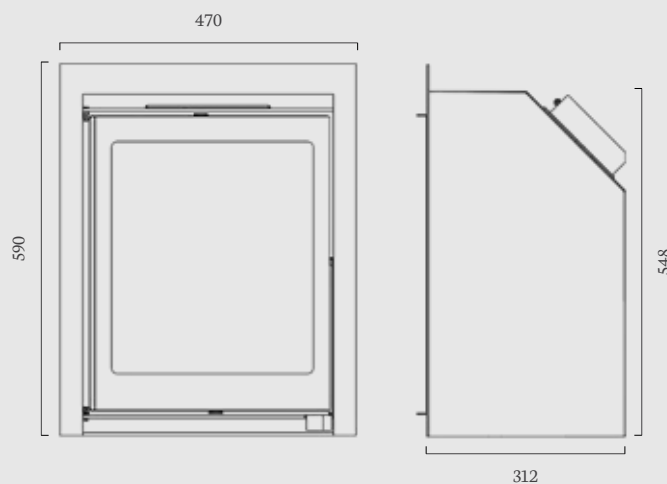


## Savona Eco Wood Only



The Savona Eco is a highly efficient, superior stove from our ECO 2022 stove range. DEFRA approved, the Savona Eco is constructed from steel for contemporary styling and efficient heating. Featuring a large glass picture window and airwash system, the Savona Eco is supported by the Capital Lifetime Warranty.

Nominal Heat Output & Range:	4.9kW
Efficiency:	Up to 84%
Flue Exit:	Angled
Flue Size:	125mm
Ventilation:	Not normally required (see page 75)
Suitable for a Light Duty Hearth:	No



*Minimum clearance to combustibles: Rear - back of chamber must be non-combustible. Sides - 600mm. Please refer to the installation instructions for more info.*



**2** year  
warranty





## Bassington Natural Gas or LPG

The Bassington Gas also features a large viewing window, providing the ultimate view of the flames, whilst you have the choice of a classic matt black finish or warm white gloss enamel finish.

With a heat output of 4.7kW the Bassington Gas delivers up to 79% efficiency making it a great option for small and medium sized rooms. A choice of two leg options are available, Standard and Skirted.

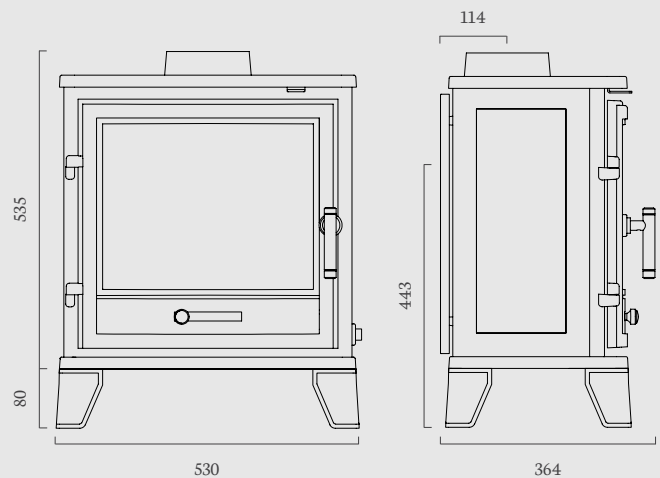
Nominal Heat Output & Range: 4.7kW / 4.4kW

Efficiency: Up to 79%

Flue Exit: Top

Flue Size: 125mm

Ventilation: Not normally required (see page 75)



Clearance to combustibles is 600mm, clearance to non-combustibles is 50mm.

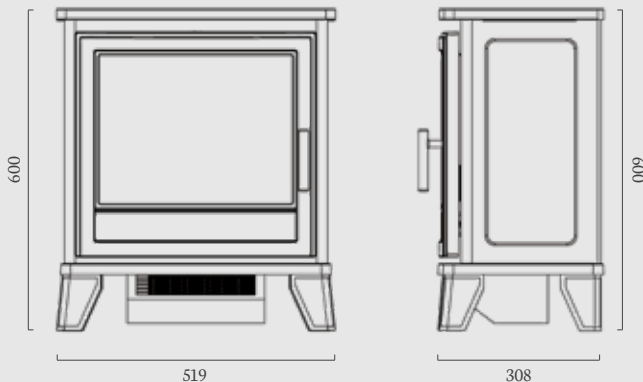
Please refer to the installation instructions for more info.

# Bassington **e**tronic Electric

The Bassington electric stove - a modern take on the traditional log burner that brings a cosy and warm atmosphere to your living space. The Bassington electric is designed with exquisite flame patterns and premium real log or hand decorated ceramic log fuel beds, making it the perfect addition to any home. With a heat output ranging from 1kW to 2kW, the Bassington electric stove provides a generous burst of warmth to the room. Even on mild summer evenings when additional heat is unnecessary, you can still enjoy the captivating ambience by using the flame-only setting.

With 4 brightness settings and 16 flame effect colours, you have ample choices to create the desired mood, all conveniently controlled via remote from the comfort of your sofa. This versatile stove can be placed almost anywhere in your home, without the need for a chimney or flue. To enhance the realism, the Bassington electric is also provided with a decorative flue spigot.

Output:	Bassington <b>e</b> tronic Electric Stove
Efficiency:	1 & 2kw & Flame Effect Only
Controls:	Remote
Fuel Bed:	Premium Real Logs or Hand Decorated Ceramic Logs
Dimmer:	Yes
7 Day Timer:	Yes







New

  
remote  
controlled

2 year  
warranty





**Premium**  
Real Wood  
Log Set

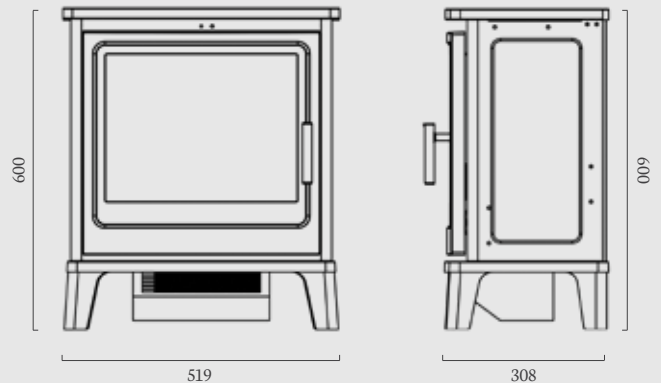


## Blackthorn **etric** Electric

The Blackthorn electric stove replicates the charm of a traditional log burner, creating a cosy and warm ambience in your living space. Its captivating flame patterns and choice of hand-decorated or premium real log fuel bed makes it an excellent addition for homes without a chimney or gas supply. With a heat output of 1kW - 2kW, it provides a generous burst of warmth to the room. Even on mild summer evenings, you can still enjoy the stove's ambience with its flame-only setting.

This remote-controlled stove offers 4 brightness settings and 16 flame effect colours, providing ample choices from the comfort of your sofa. Versatile and chimney-free, it can be placed virtually anywhere in your home. To enhance the authenticity, the Blackthorn electric stove comes with a decorative flue spigot.

Output	1 & 2kw & Flame Effect Only
Controls:	Remote
Fuel Bed	Real Logs or Hand Decorated Ceramic Logs
Flame Effect	16 Beautiful Options
Dimmer	Yes
7 Day Timer	Yes
Thermostat	Yes





remote  
controlled

2 year  
warranty





**Premium**  
Real Wood  
Log Set

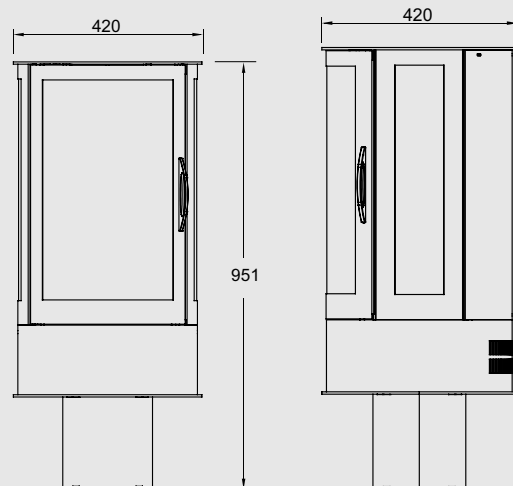


## SLE42s **etronic** Electric

The SLE42s is a stylish cylindrical electric stove with a pedestal base, adding height and presence to any room. Its clever design hides the heater grill, offering a sleek contemporary look. The three glass panels provide an unparalleled view of the realistic etronic 3D flame effect, complete with a premium real log or hand-decorated ceramic fuel bed. Choose from adjustable flame settings including low, medium, high, or the smoldering embers setting for a fading fire effect.

The flame settings can be combined with 900w or 1800w heat settings, controlled by the thermostatic control and seven-day timer. Without the need for a chimney or flue, the SLE42s is versatile and can be placed anywhere in your home.

Output	900w & 1800w Flame Effect Only
Controls:	Remote
Fuel Bed	Real Logs or Hand Decorated Ceramic Logs
Flame Effect	Adjustable
Dimmer	Yes
7 Day Timer	Yes
Thermostat	Yes



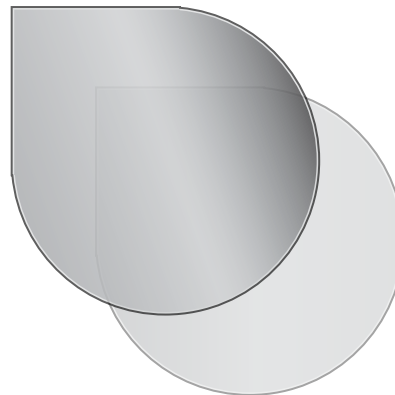
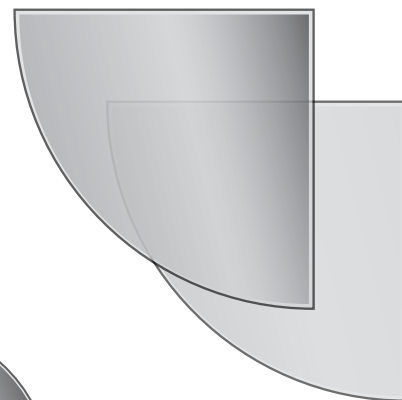




# LIGHT DUTY STOVE GLASS HEARTH

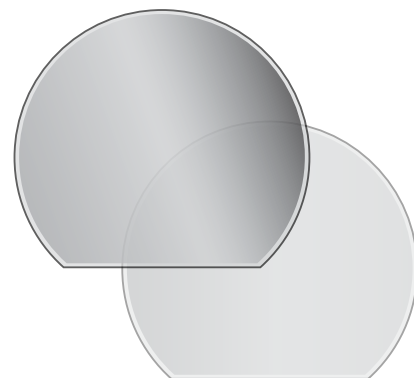
Our high quality, light duty 12mm thick tempered glass hearths are a contemporary alternative to traditional hearths. Available in three shapes with an option of smoked or transparent finishes, these glass hearths perfectly complement our stove range.

**QUADRANT >**  
1200mm x 1200mm



**< TEAR DROP**  
1100mm x 1100mm

**TRUNCATED >**  
1100mm x 950mm



# STOVE CHAMBERS



## BRAZILIAN SLATE CHAMBERS



New

ANTIQUÉ RIVEN SLATE



New

GRAPHITE RIVEN SLATE



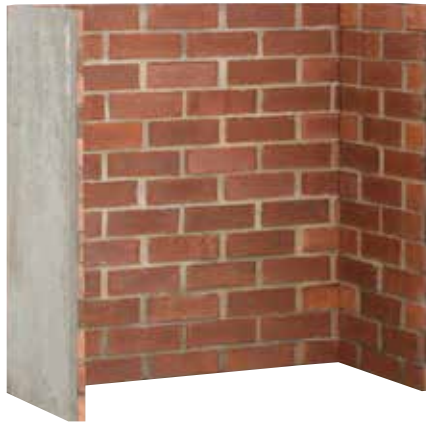
New

GREY BRUSHED SLATE

BRICK CHAMBERS



ANDALUSIA



COBBLED RED



CORINTHIAN STONE  
(MADE TO MEASURE NOT AVAILABLE)



DOVE GREY



GREY BRICK BOND MONTAGE



GREY HERRINGBONE



ICE GREY



ICE GREY HERRINGBONE



LUCENA

BRICK CHAMBERS



NAVARRA



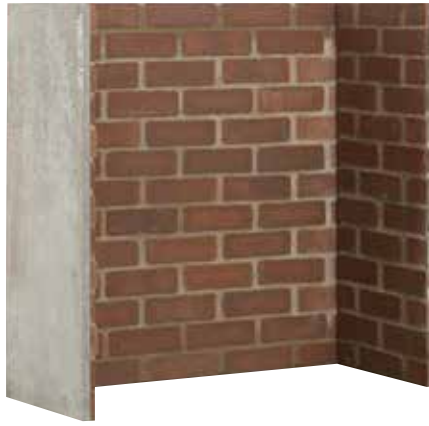
POMPEII



RAINBOW



RIVEN SLATE



RUSTIC



RUSTIC HERRINGBONE



RUSTY SLATE



SANTIAGO



SORIA



## BRICK CHAMBERS



URBAN DUSK



URBAN DUSK HERRINGBONE



ZAMORA



RETURNS



RETURNS & ARCH

### Made to Measure Chambers Available on Request

Selected styles available as made to measure. Minimum clearance distances apply, visit our website for instructions. Please note colours may vary.

### Chamber Trim Kit

Finishes the front edges of the chamber in either black or stainless steel.

#### Brick Chamber Dimensions (mm):

1x (1015 w x 1000 h x 30 thick)

2x (450 w x 1000 h x 30 thick)

#### Slate Chamber Dimensions (mm):

1x (1015 w x 1000 h x 25 thick) 2x (450 w x 1000 h x 25 thick)

#### Dove Grey Chamber Dimensions (mm):

1 x (950 w x 1000 h x 35 thick) 2 x (450 w x 1000 h x 35 thick)

#### Arched Chamber Dimensions (mm):

1x (1015 x 1000) 2x (450 x 850)

Arch: 1115 x 215

Brick Side Returns: 70mm thickness

Arch Height Opening: Max 810mm

Please allow +/- 10mm tolerance



# GEOCAST BEAMS

---

Our non-combustible Geocast Beams have been developed from a natural, inorganic material. In addition to being non-toxic and unburnable, they are extremely durable and are molded to achieve a high definition, realistic authenticity.

Although minimum clearance distances to the stove still apply, Geocast Beams allow installation distances to be much closer than real wood. Please refer to instructions on our website for further detail at [www.capitalfireplaces.co.uk/technical](http://www.capitalfireplaces.co.uk/technical)



## Ambient Lighting

Create a cosy sanctuary with ambient lighting.

Our 48" and 54" classic beams can be supplied with an ambient lighting kit as an optional extra. Ambient lighting helps to create a warm and inviting atmosphere in your living space by subtly illuminating your fireplace.

The lighting kit is operated independently so even when your fireplace is not in use, it is still the focal point of your home.



See an example of our ambient lighting on page 69



Classic Dark Oak Beam

*Available in Lengths 36", 42", 48" & 54"*



Classic Light Oak Beam

*Available in Lengths 36", 42", 48" & 54"*



Classic Antique Oak Beam

54" Length



Contemporary Polished Concrete Beam

48" Length



## Heritage Beam

*Available Lengths 48" & 54" in Natural Oak Finish  
(see front cover for 54" Heritage Beam)*



Also available in  
Dark Oak

Rustic Beam

Available lengths 48" & 54"



# NEW TILED HEARTHES

---

Experience the rustic charm of our brand new selection of tiled hearths, specially crafted to infuse your fireplace with character and a cosy cottage feel. Available in four captivating finishes and two size choices - 48 x 12" (36 x 16") TONGUE or 56 x 12" (36 x 16") TONGUE - these hearths add a touch of elegance to your living space.



< HIGHLAND RED



< ICED WHITE



< STEEL GREY



< URBAN DUSK

# lifetime warranty

## CAPITAL STOVE LIFETIME WARRANTY

All Capital multi fuel and wood burning stoves are covered by a Lifetime Warranty, unless otherwise stated, for added peace of mind (valid for original purchases only) from date of sale. This Warranty excludes the following naturally wearing consumable items; door glass, firebricks, rope seals, baffle and grate (including riddling mechanism).

This Warranty also excludes the “warm white enamel” finish on any of our stoves. Enamel finish products are inherently susceptible to crazing and chipping in the normal wear and tear of the product life.

In addition, the following criteria must be met:

- ✓ Sight of the data plate that should have been fitted by the approved installer.
- ✓ Proof of installation by HETAS or other approved body, or letter from Building Control confirming that the installation was installed in accordance with the Building Regulations.
- ✓ Proof of purchase from one of our approved suppliers.
- ✓ Proof of annual sweeping of chimney, at which time an inspection as to the condition of both the chimney and the stove should be carried out to allow for necessary maintenance to be performed.
- ✓ Only dry/seasoned wood with moisture content of less than 20% or Anthracite has been used.

Capital Fireplaces Ltd will accept no responsibility for installations which have been carried out that are not in accordance to the Building Regulations or if the conditions stated in the manufacturer’s instructions are not adhered to. Warranty applies to parts only.

## IMPORTANT POINTS

Always read user instructions prior to initially using the stove.

We recommend burning kiln dried wood, this will give you up to twice the heat output of freshly felled timber and helps reduce tar build up in the flue.

Do not overload the stove at any one time.

Never burn household rubbish as this can give off harmful gasses and will reduce the performance of the stove.

## CAPITAL GAS STOVES WARRANTY

We offer a 2 Year Warranty for the Bassington Gas Stove. Subject to conditions, for further details please visit; [www.capitalfireplaces.co.uk](http://www.capitalfireplaces.co.uk)

## CAPITAL ELECTRIC STOVES WARRANTY

We offer a 1 Year Warranty for the Bassington, Blackthorn and SLE42s Electric Stoves. For further details, or to apply for our extended warranty, please visit [www.solutionfires.co.uk](http://www.solutionfires.co.uk)

# technical information

## STOVE VENTILATION

**Houses built before 2008:** Houses built before 2008 are likely to have an air permeability greater than  $5\text{m}^3/\text{h.m}^2$  so stoves with an output below 5kW do not require an air vent. However, stoves with outputs above 5kW require a permanently open vent. So for each kW of output above 5kW allow  $550\text{mm}^2$  of air supply. Extensive renovation of an older property carried out after 2008 may reduce the air permeability to less than  $5\text{m}^3$ , in which case the guidance for houses built after 2008 should be followed. Chimneys with flue stabilisers are subject to different ventilation requirements.

**Houses built after 2008:** Houses built after 2008 with an air permeability of less than  $5\text{m}^3/\text{h.m}^2$  require the air supply to be calculated for the whole of the stove's rated output. This means that the installation of stoves with an output of less than 5kW must now have a permanently open air vent. Allow  $550\text{mm}^2$  of air supply for each kilowatt of rated output. Seek advice from your retailer and building regulator.

## THE BURNING IN PERIOD

All Capital Stoves are manufactured from cast iron or steel therefore it is vital that appliances undergo a period of "burning in", this involves small fires initially, gradually increasing in size with each firing. When purchasing a stove, please remember to adhere to the following important points; always read user instructions prior to initially using the stove, burn only anthracite or kiln dried wood as this will give you up to twice the heat output and help reduce tar build up in the flue, never burn household waste and do not overload the stove at any one time.

**Misplaced your Capital Stove manual?** No problem, digital copies can be found on our website at [www.capitalfireplaces.co.uk/technical-information](http://www.capitalfireplaces.co.uk/technical-information)  
Capital Fireplaces Ltd reserve the right to change specification or de-list products at any time. Due to the nature of the materials and appliances used within this brochure, actual finishes and colours may vary slightly. Flames shown may also vary depending on gas type, fuel quality and the performance of the flue or chimney, images in this brochure are for illustration purposes only.

## CLEANBURN STOVES

To burn fuel in a smoke controlled area the law determines that either the fuel should be smokeless or the appliance should be approved by DEFRA (Department of the Environment, Fisheries and Rural Affairs) normally these appliances are approved by DEFRA for burning kiln dried wood. Some of our DEFRA approved products are capable of burning both kiln dried wood and anthracite in smoke control areas, a dual fuel use that most cleanburn products cannot offer.

All Capital Stoves are CE approved to EN13240.

Please note many of the flue pipes shown in this brochure have been sprayed with one of Capital Fireplaces high temperature paints to match the finish of the stove.

## CHOOSING THE RIGHT FUEL

Please note choosing the right fuel for your stove or fireplace is vital to ensure a lifetime of enjoyable, trouble-free use. To burn fuel in a smoke controlled area, the law determines the fuel should be smokeless or the appliance should be approved by DEFRA. Therefore we would only recommend burning kiln dried wood or anthracite, any other fuel or objects such as household waste will produce harmful gasses subsequently reducing the performance of your appliance.



SCAN TO VIEW  
FULL RANGE

# CAPITAL — STOVES —

*[www.capitalfireplaces.co.uk](http://www.capitalfireplaces.co.uk)*