

The Pevex Stoves Range

Wood burning and
Multifuel Stoves
for the home

Ecodesign Ready/Smoke Exemption Approved Stoves



A wonderful collection of freestanding and inset
stoves designed to adorn and heat your home



Warming your world



BOHEMIA X40 CI ECODESIGN

THE PEVEX COLLECTION OF FREESTANDING AND INSET STOVES – WARMING YOUR WORLD

The PeveX Stove Collection brings you an impressive range of freestanding and inset stoves designed to be aesthetically pleasing as well as providing a wonderful source of heat to warm your hearth and home. This British designed collection offers a choice of models whether installed into a traditional setting or a stylish contemporary fireplace, there is sure to be a model that will fit your requirements.

This wonderful collection has been designed not only as attractive appliances for the home but also as high performance stoves able to meet the environmental requirements of today and tomorrow with many of them approved for use in smoke control areas throughout the UK and tested and approved to exceed Ecodesign requirements.

The PeveX Collection of stoves are fitted with separate primary air and secondary air wash controls to keep the glass window clean and tertiary air to ensure a clean-burn high-efficiency performance whether burning wood or recommended smokeless fuels.

There is nothing quite like a living flame fire to make a room warm and cosy, where you can appreciate and enjoy the mesmerising dancing flames and wonderful heat that these stoves can produce. PeveX stoves are designed to give you superb performance but are also supported by a 5 year manufacturer's guarantee*, so you know that when you choose a stove from PeveX you will always have peace of mind.

(Terms and conditions apply). * Excluding Deben stove range

CONTENTS

FREESTANDING STOVES

4. X30 CUBE ECODESIGN 2-4.9kW
6. X40 CUBE & PANORAMA ECODESIGN 2-7kW
X40 CUBE XTRA WIDE ECODESIGN 3-8kW
8. BOHEMIA 60 CUBE DOUBLE-SIDED STOVE 3-9kW
9. BOHEMIA X40 CI ECODESIGN 2-7kW
10. BUCKLESHAM 40FS 2-6kW
BUCKLESHAM 50FS 3-7kW
12. BRIGHTWELL 400 P 2-6kW
BRIGHTWELL 500 L 3-7kW
14. PEVEX DEBEN S 2-6kW
PEVEX DEBEN M 3-7kW
16. X40 CUBE GAS 1.5-5kW
X40 CUBE PANORAMA GAS 1.5-5kW

INSET STOVES

17. PEVEX 40 CONVECTOR 2-6kW
18. PEVEX SLIMLINE 30 3-6kW
19. PEVEX 60 CONVECTOR 3-8kW

X30 CUBE ECODESIGN 2-4.9kW



Small but perfectly formed the British designed X30 Cube offers contemporary styling and a very useful 4.2kW of heat from its highly efficient multifuel firebox.

Its diminutive size allows for installation into a 16" x 22" height fireplace opening and is ideal for smaller homes, country cottages, town houses, even house boats or log cabins. With its modular design you can customise it by adding legs, logstore or convection side panels which allows positioning closer to combustible surfaces giving you complete peace of mind and a cosy, radiant convection heat.

An impressive 83.9% efficiency for wood burning and approved for use in smoke control areas and tested and exceeding Ecodesign requirements, this stove is small but offers modular flexibility with its range of bolt-on options.

Options

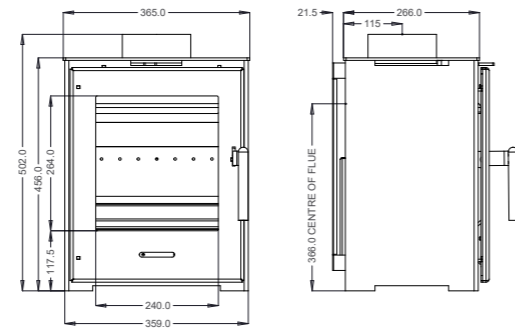
- Available with 80mm and 130mm leg frames
- 200mm and 400mm logstores
- Convection side panels
- Cool touch chrome, black handle and knob or wooden handle

Technical Data

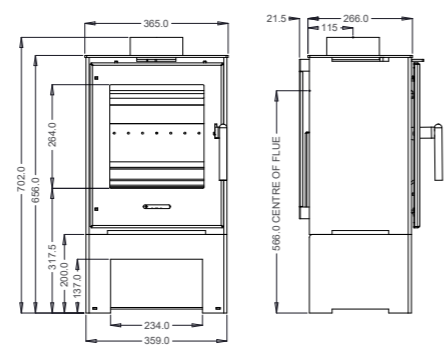
Nominal heat output	4.2kW
Output range	2-4.9kW
Wood efficiency	83.9%
Smokeless fuel efficiency	75%
Flue outlet dia.	128mm top or rear
Dist. from rear to centre of top flue	115mm
Dist. from floor to centre of rear flue (compact model)	137mm
Weight (compact model)	53kg
Dist. to flammable materials	
At sides	200mm
Behind stove	175mm
Distance to furniture	800mm
Energy Efficiency Label	A+
Smoke Exemption Approved	✓
Ecodesign	✓
Warranty	5 years, see instructions for details
Finish	Matt Black
Standard fittings	Stainless steel handle and air knob, rear and bottom heatshield, cast iron grate

X30 Cube Ecodesign Dimensions

X30 CUBE COMPACT



X30 CUBE CONVECTOR WITH 200MM LOGSTORE



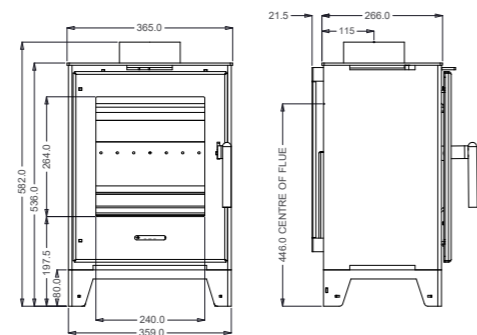
LOGSTORE MODELS ALSO AVAILABLE IN 400mm:

X30 CUBE WITH 400mm LOGSTORE:

W = 365mm W2 = 390mm* D = 367mm H = 904mm

*Convector Dimensions Only

X30 CUBE CONVECTOR ON 80MM LEGS



LEGS ALSO AVAILABLE IN 80mm & 130mm MODELS:

X30 CUBE WITH 80mm LEGS:

W = 367mm W2 = 390mm* D = 367mm H = 704mm

X30 CUBE WITH 130mm LEGS:

W = 367mm W2 = 390mm* D = 367mm H = 904mm

*Convector Dimensions Only



X30 CUBE ECODESIGN WITH 400MM LOGSTORE

X30 CUBE ECODESIGN CONVECTOR WITH 200MM LOGSTORE

X30 CUBE ECODESIGN CONVECTOR WITH 130MM LEGS

X30 CUBE ECODESIGN CONVECTOR WITH 80MM LEGS

X30 CUBE COMPACT ECODESIGN



X30 CUBE SHOWN IN THE DARSHAM 44" SURROUND

FREESTANDING STOVES

X40 CUBE & PANORAMA ECODESIGN 2-7kW

X40 CUBE XTRA WIDE ECODESIGN 3-8kW



Sharp and minimalistic styling makes these stoves the ideal choice for installation into many room settings.

Available in both 5kW or for higher output requirements then the bigger brother Xtrawide makes the perfect choice.

Both models offer a fantastic view of the flames through the large window openings. To elevate the stove a 200mm or 400mm logstore can be ordered separately or for more view of the flames then take a look at the X40 Cube Panorama which allows the fire to be seen through the side windows ideal for installation into an open plan situation.

Easy to light and control makes the X Cube series a wonderful choice for its lovely visual appearance and cosy warming heat.

Options

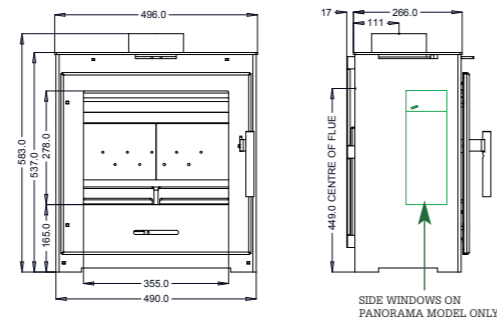
- Available with optional 200mm or 400mm logstores
- Cool touch chrome, black handle and knob or wooden handle
- Side windows on X40 Cube

Technical Data

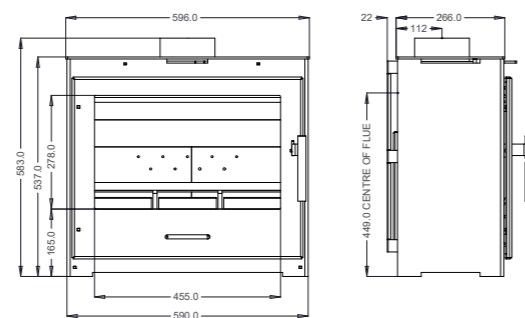
	X40 Cube	X40 Cube Xtrawide
Nominal heat output	5kW	5.5kW
Output range	2-7kW	3-8kW
Wood efficiency	83.9%	77%
Smokeless fuel efficiency	75%	73%
Flue outlet dia.	128mm	128mm
	top or rear	top or rear
Dist. from rear to centre of top flue	128mm	134mm
Dist. from floor to centre of rear flue	449mm	449mm
Weight	66kg	72kg
Dist. to flammable materials		
At sides	400mm	400mm
Behind stove	175mm	250mm
Distance to furniture	800mm	800mm
Energy Efficiency Label	A+	A
Smoke Exemption Approved	✓	✓
Ecodesign	✓	✓
Warranty	5 years, see instructions for details	
Finish	Matt Black	Matt Black
Standard fittings	Stainless steel handle and air control knob, rear and bottom heatshield, cast iron grate	

X40 Cube Ecodesign Dimensions

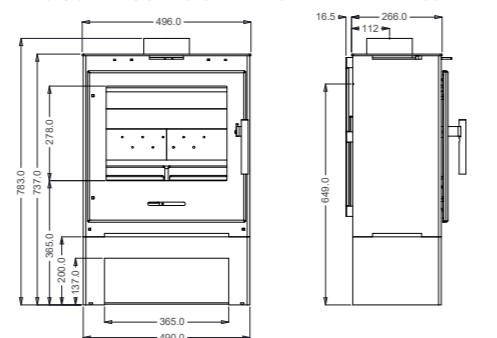
X40 CUBE & PANORAMA ECODESIGN



X40 CUBE XTRA WIDE ECODESIGN



X40 CUBE ECODESIGN/PANORAMA WITH 200MM LOGSTORE



400MM LOGSTORE AVAILABLE FOR X40 CUBE, PANORAMA AND XTRA WIDE



FREESTANDING STOVES

BOHEMIA 60 CUBE DOUBLE-SIDED STOVE 3-9kW

Make a real statement in any home and radiate heat more effectively through your living space with this stunning double-sided multifuel stove that from 2022 is now fitted with cast iron doors giving an even greater view of the fire from both sides.

Ideal for homes with an imposing double-sided fireplace or where the fireplace has been opened up between two rooms.



BOHEMIA 60 CUBE DOUBLE-SIDED STOVE SHOWN WITH 200MM STAND

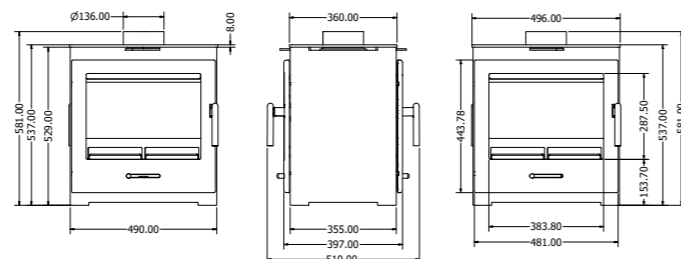
Technical Data

Nominal heat output	7kW
Output range	3-9kW
Wood efficiency	80%
Smokeless fuel efficiency	75%
Flue outlet dia.	128mm top or rear
Dist. from rear to centre of top flue	180mm
Dist. from floor to centre of rear flue (compact model)	n/a
Weight (compact model)	90kg
Dist. to flammable materials:	
At sides	400mm
Behind stove	n/a
Distance to furniture	800mm
Energy Efficiency Label	A
Warranty	5 years, see instructions for details
Finish	Matt Black
Standard fittings	Stainless steel handles and air knobs, bottom heat shield, cast iron grate

Options

- 200mm or 400mm logstore
- Cool touch chrome, black handles and knobs or wooden handle

Bohemia 60 Cube Double-Sided Stove Dimensions



FREESTANDING STOVES

BOHEMIA X40 CI ECODESIGN 2-7kW



BOHEMIA X40 CI ECODESIGN

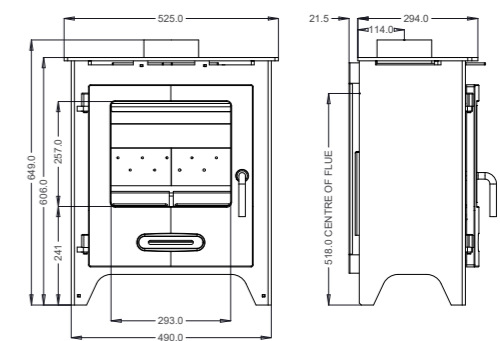
The Bohemia X40 Cast Iron has been updated and restyled for 2022 with a brand new cast iron door and reprofiled legs to give an elegant and modern look.

Designed and built in the UK, the Bohemia X40 offers multifuel performance with up to 82.7% efficiency when burning wood. Simple to use air controls makes this stove a cinch to operate and use whilst allowing you to enjoy the lovely flames and warming heat. The Bohemia X40 will look great whether installed into a traditional or modern fireplace.

Technical Data

Nominal heat output	5kW
Output range	2-7kW
Wood efficiency	82.7%
Smokeless fuel efficiency	72.4%
Flue outlet dia.	128mm top or rear
Dist. from rear to centre of top flue	136mm
Dist. from floor to centre of rear flue (compact model)	518mm
Weight (compact model)	73kg
Dist. to flammable materials:	
At sides	400mm
Behind stove	200mm
Distance to furniture	800mm
Energy Efficiency Label	A+
Smoke Exemption Approved	✓
Ecodesign	✓
Warranty	5 years, see instructions for details
Finish	Matt Black
Standard fittings	Stainless steel T handle and air control knob, rear and bottom heatshield, cast iron grate

Bohemia X40 CI Ecodesign Dimensions



FREESTANDING STOVES

BUCKLESHAM 40FS 2-6kW & BUCKLESHAM 50FS 3-7kW



These UK designed stoves feature a full size cast iron door giving a wide and impressive view of the fire. The gently contoured door profiles and cast iron convector top plates ensure that they offer a stylish yet practical addition to any home.

Combine these features with the stoves multifuel clean burning performance, high efficiency and controllable heat output and you have a stove that will give you hours of warmth and comfort.

Options

- 110mm or 160mm long legs
- Cool touch chrome, black handles and knob or wooden handle

Available in standard matt black & 4 enamel finishes

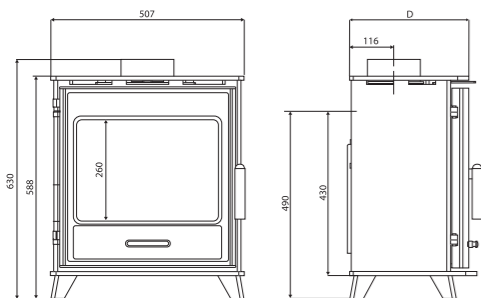


Black Enamel Red Enamel Cream Enamel White Enamel

Technical Data

	40FS	50FS
Nominal heat output	5kW	6kW
Output range	2-6kW	3-7kW
Wood efficiency	82.7%	83%
Smokeless fuel efficiency	72.4%	80.3%
Flue outlet dia.	128mm top or rear	128mm top or rear
Dist. from rear to centre of top flue	116mm	116mm
Dist. from floor to centre of rear flue	490mm	490mm
Weight	90kg	96kg
Dist. to flammable materials		
At sides	400mm	400mm
Behind stove	400mm	400mm
Distance to furniture	800mm	800mm
Energy Efficiency Label	A+	A+
Smoke Exemption Approved	✓	✓
Ecodesign	✓	✓
Warranty	5 years, see instructions for details	
Finish	Matt Black	Matt Black
Standard fittings	Stainless steel handle and air control knob, rear and bottom heatshield, cast iron grate	

Bucklesham 40FS Ecodesign & Bucklesham 50FS Dimensions



40FS D = 304mm 50FS D = 348mm All Measurements in mm



BUCKLESHAM 40FS SHOWN IN ASCOT LIMESTONE SURROUND

NEW

FREESTANDING STOVES

BRIGHTWELL 400 P 2-6kW

BRIGHTWELL 500 L 3-7kW



Introduced for 2022 are the brand-new UK designed and built Brightwell stoves featuring a landscape and portrait model which gives the opportunity to install these in multiple different fireplace applications.

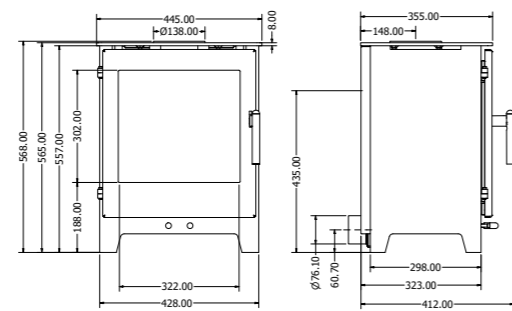
Modern and unfussy clean lines with a wide aspect window give a clear uninterrupted view of the flames burning brightly and lazily in the firebox. Easy to use push-pull air controls under the door makes for effortless adjustment of the burning of the fuel to find the perfect blend between harmony, comfort and warming heat. If you need to connect to an outside air supply then a separate adaptor can be purchased to be fitted to the stove.

Technical Data

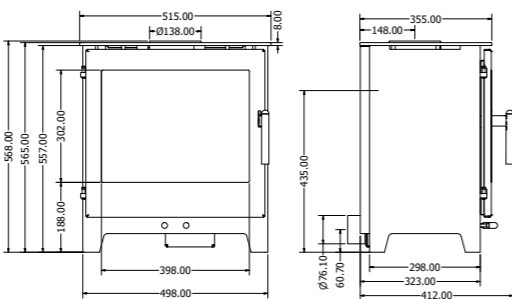
	400 P	500 L
Nominal heat output	5kW	5kW
Output range	2-6kW	3-7kW
Wood efficiency	84.8%	77.6%
Solid fuel efficiency	81.5%	79.5%
Flue outlet dia.	128mm	128mm
Dist. from rear to centre of top flue	148mm	148mm
Dist. from floor to centre of rear flue	435mm	435mm
Weight	81kg	85kg
Dist. to flammable materials		
At sides	500mm	500mm
Behind stove	350mm	250mm
Distance to furniture	800mm	800mm
Energy Efficiency Label	A+	A
Smoke Exemption Approved	✓	✓
Ecodesign	✓	✓
Warranty	5 years, see instructions for details	
Finish	Matt Black	Matt Black
Standard fittings	Stainless steel handle and air control knobs, rear heatshield.	

Peveex Brightwell Dimensions

PEVEEX BRIGHTWELL 400P



PEVEEX BRIGHTWELL 500 L



Options

- Cool touch chrome, black handle and knob or wooden handle
- 350mm logstore stand
- 76mm Ø Fresh air adaptor



BRIGHTWELL 500 L



BRIGHTWELL 400 P

NEW

FREESTANDING STOVES

PEVEX DEBEN S 2-6kW

PEVEX DEBEN M 3-7kW

We offer 2 models in the Deben stove range with the smaller model being ideal for installation into smaller applications with a nominal heat output of 4.3kW and its bigger brother with its full sized cast iron door offering a nominal 5kW of heat output which will look great in many different situations.

Both of these stoves are built with fresh air connections allowing them to be installed into highly insulated homes which allows the option to be connected to an outside air supply.

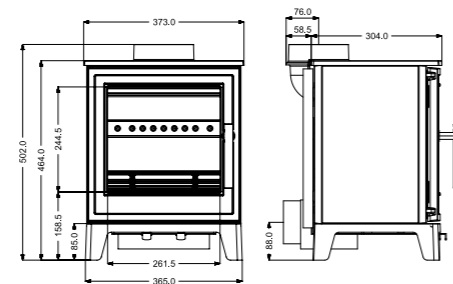
With built in clean burn technology these stoves are the perfect choice when burning wood or smokeless fuels. Defra approved and meeting the latest in Ecodesign technology means that these stoves are available now for tomorrows needs.

Technical Data

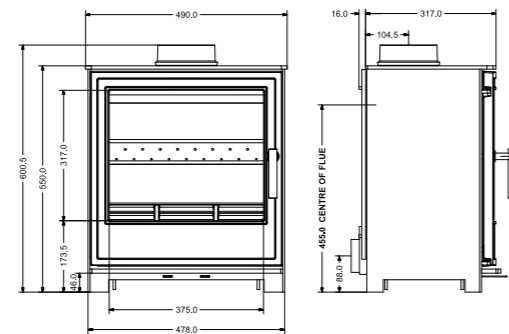
	DEBEN S	DEBEN M
Nominal heat output	4.3kW	4.9kW
Output range	2-6kW	3-7kW
Wood efficiency	75.4%	81.3%
Smokeless fuel efficiency	77%	77%
Flue outlet dia.	130mm top or rear	130mm top or rear
Dist. from rear to centre of top flue	38mm	120mm
Dist. from floor to centre of rear flue	440mm	445mm
Weight	66kg	80kg
Dist. to flammable materials		
At sides	400mm	550mm
Behind stove	250mm	550mm
Distance to furniture	800mm	800mm
Energy Efficiency Label	A	A
Smoke Exemption Approved	✓	✓
Ecodesign	✓	✓
Warranty	2 years, see instructions for details	
Finish	Matt Black	Matt Black
Standard fittings	Black door handle and stainless steel air control levers, rear heatshield, cast iron grate	

Peveex Deben Dimensions

PEVEX DEBEN S



PEVEX DEBEN M



PEVEX DEBEN S

PEVEX DEBEN M

FREESTANDING STOVES

X40 CUBE GAS 1.5-5kW

X40 CUBE PANORAMA GAS 1.5-5kW



X40 CUBE GAS

The X40 Cube Gas stove has been developed around our popular woodburning model and is available with a conventional flue in either LPG or natural gas options.

A sleek and modern looking stove combined with a fully controllable gas fire ensures the perfect balance between great looking flames through the wide picture window and lovely warming heat.

For free standing situations then choose our X40 Cube Panorama fitted with side windows to have a wonderful viewing experience from the front and either side of the stove.

Supplied with ceramic log set, black reflective rear glass and full remote control.

Options

- Available with optional 200mm or 400mm logstores
- Cool touch chrome, black handle and knob or wooden handle
- Side windows option

Technical Data

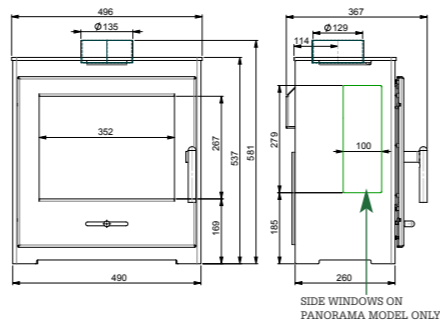
	X40 Cube	X40 Cube Panorama
Nominal heat output	4.2kW	3.6kW
Output range	1.5-5kW	1.5-5kW
Flue outlet dia.	128mm	128mm
	top only	top only
Dist. from rear to centre of top flue	133mm	133mm
Weight	56kg	52kg
Dist. to flammable materials		
At sides	150mm	150mm
Behind stove	100mm	100mm
Above	300mm	300mm
Energy Efficiency Label	B	B
Control system	TESC	TESC
Warranty	2 years, see instructions for details	
Finish	Matt Black	Matt Black
Standard fittings	Stainless steel handle and air control knobs	



X40 CUBE GAS PANORAMA

X40 Cube Gas Dimensions

X40 CUBE GAS/X40 CUBE PANORAMA GAS



SIDE WINDOWS ON PANORAMA MODEL ONLY

INSET STOVES

PEVEX 40 CONVECTOR 2-6kW



PEVEX 40 CONVECTOR INSET SHOWN WITH 4 SIDED FRAME

A modern and stylish inset stove that is designed to fit into a standard UK fireplace* opening improving its efficiency over an open fire as well as a lovely focal point in the room.

Supplied with a 3 sided clip-on steel frame for installing on a hearth or purchase an optional 4-sided frame when installing into the wall.

*Existing fireplace must be suitable for solid fuel use

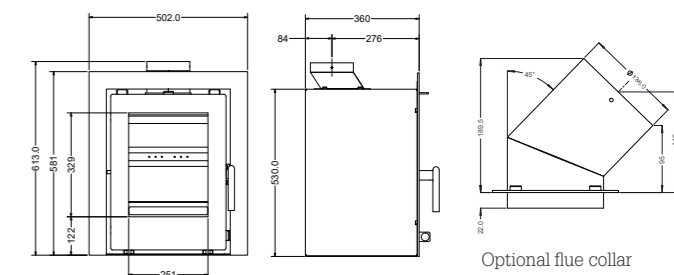
Technical Data

Nominal heat output	4.9kW
Output range	2-6kW
Wood efficiency	80%
Smokeless fuel efficiency	82%
Flue outlet dia.	128mm
Dist. behind frame to centre of top flue	78mm
Weight	70kg
Dist. to flammable materials	
At sides	250mm
Behind stove	300mm
Distance to furniture	800mm
Energy Efficiency Label	A
Smoke Exemption Approved	✓
Ecodesign	✓
Warranty	5 years, see instructions for details
Finish	Matt Black
Standard fittings	Stainless steel handle and cast iron grate

Options

- Cool touch chrome, black or wooden handle
- Extra extended 45° offset flue outlet
- 4 sided clip on frame

PeveX 40 Convector Inset Dimensions



Optional flue collar

PEVEX 40 INSET CONVECTOR SHOWN WITH 3 SIDED FRAME



PEVEX SLIMLINE 30 INSET IN DARSHAM SURROUND

Slim and stylish, the PeveX 30 Slimline inset stove is designed to easily fit into a standard 16" x 22" British fireplace* opening and is ideal for a shallower fireplace or for installation where space is limited.

It features a large glass window to give a maximum view of the fire, convection sides and top plate and primary and secondary air for precise control.

*Existing fireplace must be suitable for solid fuel use

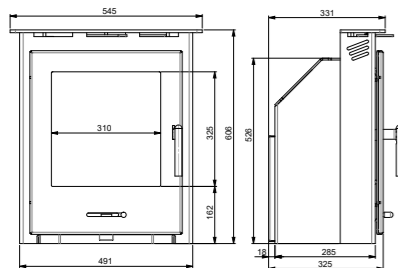
Options

- Can be installed with a liner (with optional bolt-on 5" or 6" diameter flue adaptor).
- Cool touch chrome, black handle and knob or wooden handle

Technical Data

Nominal heat output	4.9kW
Output range	3-6kW
Wood efficiency	78%
Smokeless fuel efficiency	80%
Flue outlet dia.	Opt 128mm or 155mm
Weight (compact model)	60kg
Dist. to flammable materials	
At sides	200mm
Behind stove	300mm
Distance to furniture	800mm
Energy Efficiency Label	A
Ecodesign	✓
Warranty	5 years, see instructions for details
Finish	Matt Black
Standard fittings	Stainless steel handle and air knob, cast iron grate

PeveX Slimline 30 Inset Dimensions



OPTIONAL 5" OR 6" FLUE COLLAR



A very impressive output from this multifuel inset stove. This high output, inset stove is designed to fit into a standard UK 16" x 22" fireplace* opening and has a unique slide-in cassette design for easy installation.

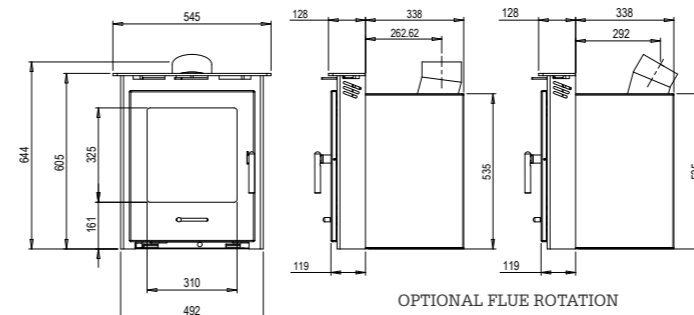
This stove offers a huge increase in efficiency over an open fire and its large glass window will ensure a lovely focal point to your room.

Technical Data

Nominal heat output	6.5kW
Output range	3-8kW
Wood efficiency	79%
Smokeless fuel efficiency	72%
Flue outlet dia.	128mm
Weight (compact model)	110kg
Dist. to flammable materials	
At sides	200mm
Behind stove	300mm
Distance to furniture	800mm
Energy Efficiency Label	A
Smoke Exemption Approved	✓
Warranty	5 years, see instructions for details
Finish	Matt Black
Standard fittings	Stainless steel handle and air knob, cast iron grate



PeveX 60 Convector Inset Dimensions



OPTIONAL FLUE ROTATION

Options

- Cool touch chrome, black handle and knob or wooden handle

*Existing fireplace must be suitable for solid fuel use



PEVEX 60 INSET CONVECTOR

Pevex Stoves are one of the leading innovators in the design and manufacture of wood burning and solid smokeless fuel stoves in the UK.

Pevex Stoves are designed as attractive, heating appliances for both traditional and contemporary homes. They are able to meet the environmental requirements of today and tomorrow with the majority suitable for use in smoke control areas.

With a wide choice of modern or traditional freestanding, inset or convector stoves throughout the collection, there is sure to be a model that will suit your preference, allowing you to just sit back, relax and enjoy the wonderful warming heat and mesmerising flames through the stoves large glass windows.

And just to show you how confident we are of our product's quality, all our wood and multifuel stoves carry a **5-year guarantee*** (Terms and conditions apply). * Excluding Deben stove range



Your PEVEX dealer is:



Warming your world



facebook.com/pevexstoves