

# Nordpeis

Woodburning Stoves and Fires



**Build It**  
AWARDS  
2019  
WINNER  
Best Stove



# The Norwegian

# Experience...

In a land famous for its long winter nights, icy winds and heavy snowfall, the fireside has always held a special place in both the hearts and homes of the people of Norway.

Nordpeis was established over 30 years ago and we have been proudly incorporating our heritage and time honoured traditions into our stoves and fires ever since. No longer just a source of essential warmth, today's modern appliances represent the most advanced developments in heating technology and the very finest standards of Norwegian contemporary design.

## Designed for Our Environment

All Nordpeis stoves and fires are designed for burning wood. When wood is burnt, approximately the same amount of carbon dioxide that has been absorbed by the tree during growth is released into the atmosphere, making it a virtually carbon neutral heat source.

Wood is also a renewable resource, particularly when derived from plantations and cultivated woodland. For optimum results, we recommend logs should be seasoned for two years or more to achieve a moisture content below 20%. This will not only give twice the output of freshly felled timber but will also help to avoid a build-up of tar in your flue. If you can obtain hardwood logs this is better still, as they will have a greatly increased calorific value compared to softwoods.

Our focus on eco-friendly designs means that all Nordpeis products burn so cleanly they meet future Ecodesign air quality standards. Producing minimal levels of smoke emissions, these are some of the most eco-friendly stoves and fires available and display the Ecodesign Plus label.



## State of the Art Technology

All stoves and fires in this brochure feature Cleanburn technology to ensure they burn wood logs with outstanding efficiency\*. This results in more heat delivery into the room and less going up the chimney. Cleanburn technology works by introducing pre-heated, secondary air into the firebox to burn the excess hydrocarbons in the smoke. Airwash airflow also helps keep the window clean, allowing you to enjoy the flames to the full. Some models also benefit from an optional External Air Combustion Facility, which minimises internal draughts by taking combustion air from outside of the home.

## Urban Area Approved

Most town and city homes in the UK are located in Smoke Control Areas as designated by the Clean Air Act 1993. To burn logs on a stove in these locations, the model installed must have been granted exemption from these regulations by the Government through DEFRA. This exemption is given only to appliances that have been independently tested to demonstrate particularly clean burning combustion. Many stoves in this brochure are approved for use in Smoke Control Areas and this is shown on each relevant product page. Your Nordpeis retailer can give you further help and advice.

\* All efficiencies quoted in this brochure are for seasoned wood with a moisture content less than 20%.



**WIN**

the cost of your  
product back!

by registering your product online for your free  
extended warranty. See page 41 for more details.

# Complete Peace of Mind



## Expert Retailer Network

We take great care to ensure that our stoves and fireplaces are designed, tested and manufactured to the highest possible quality and safety standards. We are just as concerned to make certain that they are sold and installed correctly so that you have years of enjoyment from your purchase.

Accordingly, you will find our products are only available from experienced, independent retailers who will be happy to show you a selection of models locally in their showrooms, often fully operational. These independent retailers will discuss your individual requirements both technical (such as sizing the heat output to your room and advising on your flue type) and design, and ensure that you select the most appropriate product for your home. They will also be able to advise on, or assist with, the installation process as well as help provide any after-sales support and servicing your appliance may require in the future.

The Stovax Heating Group is subject to stringent tests and we are proud to be an ISO9001 and ISO14001 accredited company, recognised for our continued commitment to technical innovation, high quality products and excellent customer and after-sales care. Our rigorous quality control system ensures that all our appliances are safety checked and that they comply with the appropriate regulations, with all stoves and fires in this brochure bearing the UKCA and CE marks. Similarly, our environmental management systems ensure we work in a sustainable manner, whilst endeavouring to protect the environment by minimising any possible impact from our operations.



Whilst we encourage our retailers to promote fireplace products and their outlets via the internet, we do not believe suitable levels of customer care and satisfaction can be obtained from purchasing the product only online and we would strongly recommend that you consider this when undertaking your research and making a purchasing decision. Furthermore, please be aware that we do not offer technical support (beyond our statutory responsibilities) to products bought via nationwide online sales, where this support would normally be offered by one of our qualified, independent retailers.

In addition, Nordpeis stoves and fires purchased from within our Expert Retailer Network will have the additional benefit of a greatly extended warranty period, subject to terms and conditions. Full details can be found online at [www.nordpeis.co.uk](http://www.nordpeis.co.uk).

## Product Warranty



Your Nordpeis Expert Retailer can provide you with a Five Year Extended Warranty for your new woodburning stove or fire, see page 50 for further details. Full warranty terms and conditions are available at [www.nordpeis.co.uk](http://www.nordpeis.co.uk).

Find Your Retailer

Find your nearest retailer by visiting:  
[www.nordpeis.co.uk/retailers](http://www.nordpeis.co.uk/retailers)



## The Nordpeis Range



06 - 27

CONTEMPORARY STOVES



28 - 33

TRADITIONAL STOVES



34 - 35

CONTEMPORARY  
FIRES & SURROUNDS



36 - 39

TECHNICAL INFORMATION



40 - 43

ACCESSORIES, FLUE PIPE  
& FURTHER INFORMATION



# ME

Eye-catching and original, the groundbreaking ME is a bold deviation from traditional aesthetics. A circular front and cylindrical body create a stunningly unique stove, demonstrating cutting-edge Nordic design and engineering in equal measure.



Stoves above shown with side windows - all models are available with or without side windows.

See notes on British and Irish building regulations in the Important Safety and Technical Information section on page 43

Few stoves offer so many inspiring fitting options, and the wealth of choice is testament to the ME's versatile design. Choose from pedestal, steel logstore stand, bench, or wall-mounted options - with stylish clear glass stands also available. There is even the option of a ceiling hung version, for a statement stove installation. Each mounting option transforms the ME, letting you choose the perfect combination for your home.



# AWARD WINNER

## 'BEST STOVE'

The award-winning Ecodesign Nordpeis ME represents over 30 years of quality Norwegian design and technical expertise, guaranteeing the finest standards in heating technology.



The ME is offered in two versions, including a side-windowed model for panoramic flame visuals. Both feature Nordpeis' advanced combustion technology, which provides a high efficiency, 5.8kW heat output, with the option of an external air supply to minimise internal draughts.

## Key Facts

- Nominal Heat Output: 5.8kW
- Heat Output Range: 3kW - 6kW
- Efficiency: 79%
- Energy Efficiency Class: **A**
- Dimensions: (w x h x d) 520 x 510 x 364mm
- Flue: 150mm (top or rear)
- Weight: 74kg
- Woodburner
- Side-windowed model available
- Range of mounting options
- Cleanburn & Airwash Systems
- Top and rear flue
- Optional External Air Facility



See notes on British and Irish building regulations in the Important Safety and Technical Information section on page 43







# Uno 1

The compact Uno features a modern Scandinavian look and a range of styling options to really allow you to personalise your stove!

Every model of Uno has an automatic lock system on the door for increased safety and comfort, whilst the three large glass windows ensure a great view of the flames from every angle.

The Uno 1 makes an impressive statement with its pedestal base giving an elevated view of the firebox, whilst maintaining the understated feel of the small, yet powerful stove.

## Key Facts

- **Nominal Heat Output:** 4kW
- **Heat Output Range:** 3kW - 6kW
- **Efficiency:** 82%
- **Energy Efficiency Class:** **A+**
- **Dimensions:** (w x h x d)  
436 x 1006 x 364mm
- **Flue:** 150mm (top or rear)
- **Weight:** 104kg
- **Maximum Log Length:** 300mm
- **Side Windows**
- **Pedestal base**
- **Airwash & Cleanburn Systems**
- **Optional External Air Kit**
- **Smoke Control Approved when fitted with Smoke Control Kit**



See notes on British and Irish building regulations in the Important Safety and Technical Information section on page 43





# Uno 2 & 4

Following on from the Uno 1, both the Uno 2 and 4 have the same firebox functionality, whilst integrating stylish log stores into the base of the stove.

The side opening to the Uno 2 ensures easy access to your log storage, whilst the Uno 4 features a closed log store area with front access for streamlined aesthetics.

## Key Facts

- Nominal Heat Output: 4kW
- Heat Output Range: 3kW - 6kW
- Efficiency: 82%
- Energy Efficiency Class: **A+**
- Dimensions: (w x h x d)  
Uno 2: 420 x 1012 x 348mm  
Uno 4: 420 x 907 x 348mm
- Flue: 150mm (top or rear)
- Weight: Uno 2: 91.5kg / Uno 4: 87.5kg
- Maximum Log Length: 300mm
- Side Windows
- Uno 2 - Log Store Base with easy side access
- Uno 4 - Log Store Base with front access
- Airwash & Cleanburn Systems
- Optional External Air Kit
- Smoke Control Approved when fitted with Smoke Control Kit



*Uno 2 - Log Store Base  
with easy side access*



*Uno 4 - Log Store Base  
with front access*

See notes on British and Irish building regulations in the Important Safety and Technical Information section on page 43



# Duo 1

With superb contemporary styling, the Duo 1 features a pedestal base and a large glass door and side windows that provide breathtaking flame views.

The Duo 1 features Nordpeis' latest Cleanburn technology to improve fuel efficiency, whilst a powerful Airwash system helps keep the large glass panels clean. Whether creating a feature corner or standing proudly in the centre of the room, the stylish Duo 1 has the versatility to match and reflect your own contemporary tastes.

## Key Facts

- Nominal Heat Output: 5kW
- Heat Output Range: 3kW - 8kW
- Efficiency: 80%
- Energy Efficiency Class: **A+**
- Dimensions: 490 x 1260 x 385mm (w x h x d)
- Flue: 150mm (top or rear)
- Weight: 104kg
- Maximum Log Length: 300mm
- Side Windows
- Pedestal Base
- Airwash & Cleanburn Systems
- Optional External Air Kit
- Smoke Control Approved when fitted with Smoke Control Kit



See notes on British and Irish building regulations in the Important Safety and Technical Information section on page 43







# Duo 2

Retaining the same firebox characteristics, heat output and high efficiency as the other Duo stoves, the Duo 2 benefits from the further functionality of an integral log store.

## Key Facts

- Nominal Heat Output: 5kW
- Heat Output Range: 3kW - 8kW
- Efficiency: 80%
- Energy Efficiency Class: **A+**
- Dimensions: 470 x 1260 x 365mm (w x h x d)
- Flue: 150mm (top or rear)
- Weight: 104kg
- Maximum Log Length: 300mm
- Integral Log Store with easy side access
- Side Windows
- Airwash & Cleanburn Systems
- Optional External Air Kit
- Smoke Control Approved when fitted with Smoke Control Kit



See notes on British and Irish building regulations in the Important Safety and Technical Information section on page 43





# Duo 4

With sleek and contemporary styling, the Duo 4 not only offers exceptional 180° views of the flames, but also features a fully enclosed 'hidden' log store underneath the firebox.

As with all Duo stoves, the Duo 4 benefits from Nordpeis' optional External Air Kit which can reduce draughts within your room.

## Key Facts

- **Nominal Heat Output:** 5kW
- **Heat Output Range:** 3kW - 8kW
- **Efficiency:** 80%
- **Energy Efficiency Class:** **A+**
- **Dimensions:** 470 x 1260 x 365mm (w x h x d)
- **Flue:** 150mm (top or rear)
- **Weight:** 104kg
- **Maximum Log Length:** 300mm
- **Integral 'Hidden' Log Store**
- **Side Windows**
- **Airwash & Cleanburn Systems**
- **Optional External Air Kit**
- **Smoke Control Approved** when fitted with Smoke Control Kit



See notes on British and Irish building regulations in the Important Safety and Technical Information section on page 43





# Duo 5

The Duo 5 is equally as elegant a stove as the Duo 4, featuring the same 'hidden' log store, but with sleek black side panels giving focus to the large flame window.

## Key Facts

- Nominal Heat Output: 5kW
- Heat Output Range: 3kW - 8kW
- Efficiency: 80%
- Energy Efficiency Class: **A+**
- Dimensions: 470 x 1260 x 365mm (w x h x d)
- Flue: 150mm (top or rear)
- Weight: 112kg
- Maximum Log Length: 300mm
- Black Side Panels
- Airwash & Cleanburn Systems
- Optional External Air Kit
- Smoke Control Approved when fitted with Smoke Control Kit



See notes on British and Irish building regulations in the Important Safety and Technical Information section on page 43





# Quadro 1 & 1T

With superb styling and an angular glass window dramatically wrapping around two sides of the stove, the Quadro 1 can be enjoyed from all aspects of the room. The Quadro 1T, which features an additional top section is offered to facilitate a feature corner installation.

For draught reduction, there is the Optional External Air Kit which enables the stove to draw its combustion air directly from outside the property into the stove rather than drawing air from within the room.

## Key Facts

- **Nominal Heat Output:** 6.2kW
- **Heat Output Range:** 3kW - 8kW
- **High Efficiency:** 80%
- **Energy Efficiency Class:** **A+**
- **Dimensions:** (w x h x d)  
Quadro 1: 545 x 1225 x 442mm  
Quadro 1T: 545 x 1441 x 442mm
- **Weight:** 104kg
- **Flue:** 150mm (top or rear)
- **Available as 'Corner' Model**
- **Maximum Log Length:** 300mm
- **Airwash & Cleanburn Systems**
- **Optional External Air Kit**
- **Smoke Control Approved** when fitted with Smoke Control Kit



See notes on British and Irish building regulations in the Important Safety and Technical Information section on page 43





# Quadro 2 & 2T

Featuring the same firebox characteristics as the Quadro 1, including a single piece, two-sided glass window, the Quadro 2 features an elegant, continuous body. For a designer, Scandinavian aesthetic the Quadro 2 can also be selected as the Colorado Natural, with a striking unfinished concrete exterior surround for an industrial, minimalist vibe.

The taller Quadro 2T includes an additional top section for those who want to install their stove in the corner of the room.

## Key Facts

- Nominal Heat Output: 6.2kW
- Heat Output Range: 3kW - 8kW
- High Efficiency: 80%
- Energy Efficiency Class: **A+**
- Dimensions: (w x h x d)  
 Quadro 2: 545 x 1226 x 442mm  
 Quadro 2T: 545 x 1442 x 442mm  
 Quadro 2 Colorado: 543 x 1407 x 440mm
- Weight: 113kg
- Flue: 150mm (top or rear)
- Available as 'Corner' Model
- Maximum Log Length: 300mm
- Airwash & Cleanburn Systems
- Optional External Air Kit
- Smoke Control Approved when fitted with Smoke Control Kit



Quadro 2T



See notes on British and Irish building regulations in the Important Safety and Technical Information section on page 43







# Quadro 3 & 3T

Effortlessly balancing form with function, the Quadro's winning combination of clean styling and high performance heating epitomises Scandinavian design. The Quadro 3 takes the range to new heights, featuring a taller base that adds presence and style in equal measure. This impressive stove can be selected as the 3T with taller top section for even greater height.

## Key Facts

- Nominal Heat Output: 6.2kW
- Heat Output Range: 4kW - 8kW
- High Efficiency: 80%
- Energy Efficiency Class: **A+**
- Dimensions: (w x h x d )  
Quadro 3: 544 x 1356 x 442mm  
Quadro 3T: 544 x 1572 x 442mm
- Weight: 118kg
- Flue: 150mm (top or rear)
- Available as 'Corner' Model
- Maximum Log Length: 300mm
- Airwash & Cleanburn Systems
- Optional External Air Kit
- Smoke Control Approved when fitted with Smoke Control Kit



Quadro 3T



See notes on British and Irish building regulations in the Important Safety and Technical Information section on page 43





# Bergen

With high efficiency heat output and modern-traditional styling, the Bergen offers a fresh alternative for warming today's homes. Thanks to the powerful Cleanburn and Airwash systems an excellent view of the fire is presented through the impressive 16" door glass. Sturdily built from cast iron and heavy duty steel, the Bergen will provide many years of comfort and enjoyment.

For additional images see pages 45 and 43.

## Key Facts

- **Nominal Heat Output:** 5kW
- **Heat Output Range:** 3kW - 8kW
- **High Efficiency:** 84%
- **Energy Efficiency Class:** **A+**
- **Dimensions:** 545 x 650 x 396mm (w x h x d)
- **Weight:** 115kg
- **Flue:** 150mm (top or rear)
- **Maximum Log Length:** 400mm
- **Steel and cast iron construction**
- **Airwash & Cleanburn Systems**
- **Smoke Control Approved as standard**



See notes on British and Irish building regulations in the Important Safety and Technical Information section on page 43





# Glasgow

The Glasgow's elegant and versatile styling ensures it fits into a variety of interiors, ranging from the contemporary to the classical. This eye-catching stove features a large viewing window for its size, which remains clean thanks to the powerful Airwash system. Producing an ample 5kW heat output at an exceptional 84% efficiency, The Glasgow is suitable for a broad range of homes and can be installed with an external air supply for draft free provision of air.

## Key Facts

- **Nominal Heat Output:** 5kW
- **Heat Output Range:** 3kW - 8kW
- **High Efficiency:** 84%
- **Energy Efficiency Class:** **A+**
- **Dimensions:** 545 x 735 x 396mm (w x h x d)
- **Weight:** 110kg
- **Flue:** 150mm (top or rear)
- **Maximum Log Length:** 400mm
- **Steel and cast iron construction**
- **Airwash & Cleanburn Systems**
- **Smoke Control Approved** when fitted with Smoke Control Kit



See notes on British and Irish building regulations in the Important Safety and Technical Information section on page 43







# Orion

Featuring long elegant legs, subtly cast designs on its sides and a small brass handle, the Orion is uniquely different.

The compact proportions of the Orion make it perfect for smaller living spaces such as a conservatory, hallway or outdoor snug.

The Orion's long fire box allows logs to be loaded length ways, burning from front to back as air is drawn in to the stove.

The useful hot plate can be used for boiling a kettle or cooking a stew - the perfect way to make the most of your stove and bring some traditional charm into your home.

## Key Facts

- **Heat Output Range:** 2kW - 7kW
- **High Efficiency:** 73%
- **Energy Efficiency Class:** **A+**
- **Dimensions:** 325 x 625 x 510mm (w x h x d)
- **Weight:** 72kg
- **Maximum Log Length:** 300mm
- **Flue:** 150mm (top, side or rear)
- **Maximum Log Length:** 300mm
- **Cleanburn System**
- **Integral hotplate on stove top**



See notes on British and Irish building regulations in the Important Safety and Technical Information section on page 43



# S-31A

---

## Shown with Odense Surround

The high efficiency S-31A can either be built into a new wall corner installation or combined with the contemporary Odense surround. The Odense offers easy installation in the home; whether in a corner, against a straight wall or freestanding in the middle of a room.

The S-31A has a continuous double sided window that allows for an excellent view of the flames from all directions. Furthermore, the integral log store offers convenient reloading of the fire.

For additional images see page 3.





The Odense is supplied in unfinished concrete which can be painted with breathable masonry based paint to suit your decor. Images show the Odense painted white\*.

See notes on British and Irish building regulations in the Important Safety and Technical Information section on page 43

## Key Facts

- Fire: S-31A
- Nominal Heat Output: 6kW
- Heat Output Range: 2kW - 10kW
- High Efficiency: 80%
- Energy Efficiency Class: **A+**
- Flue: 150mm (top or rear)
- Airwash & Cleanburn Systems
- Odense Dimensions: (w x h x d)  
500 x 1780 x 500mm
- Odense Weight: 253kg
- Maximum Log Length: 300mm
- Integral Log Store
- Corner, Straight wall or freestanding installation possible
- Optional Black or Clear Glass Floor Plate
- Optional External Air Kit
- Odense can be painted\* to suit your decor
- Smoke Control Approved when fitted with Smoke Control Kit



Odense painted grey\*

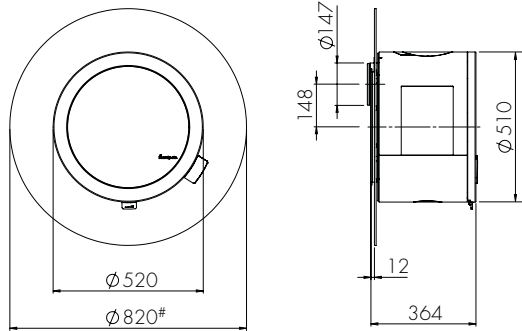


\* With breathable masonry paint, please refer to your installation instructions.

# Technical Information

ME - Wall

P 6 - 9



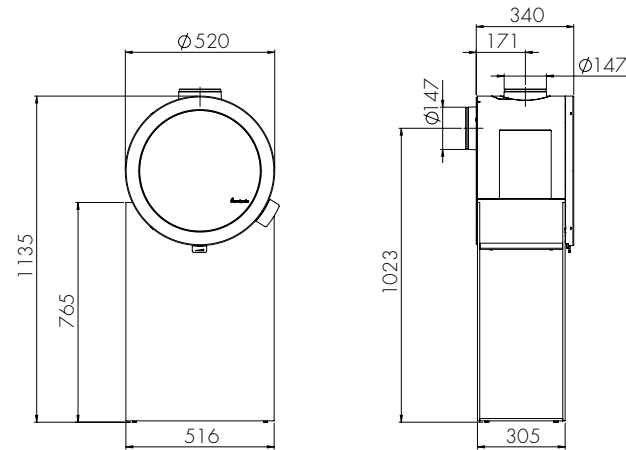
*#ME - Wall Firewall back panel*

**Minimum distance to combustibles:\***

0mm (rear - only when installed with Firewall back panel),  
700mm (side) & 700mm (above)

ME - Basic / ME - Steel

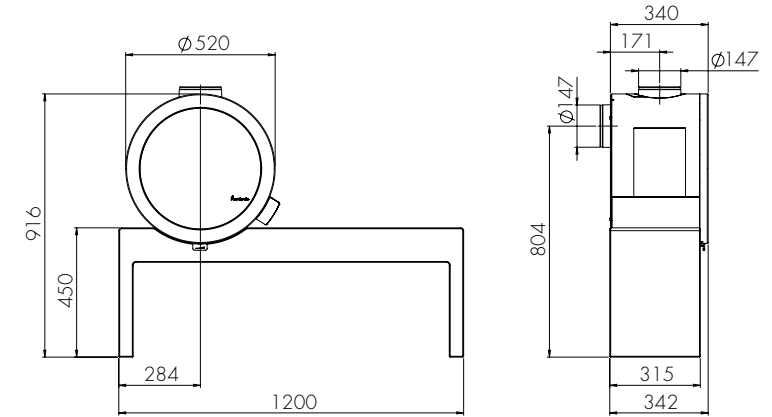
P 6 - 9



**Minimum distance to combustibles:\*** 100mm (rear), 700mm (side) & 700mm (above)

ME - Bench

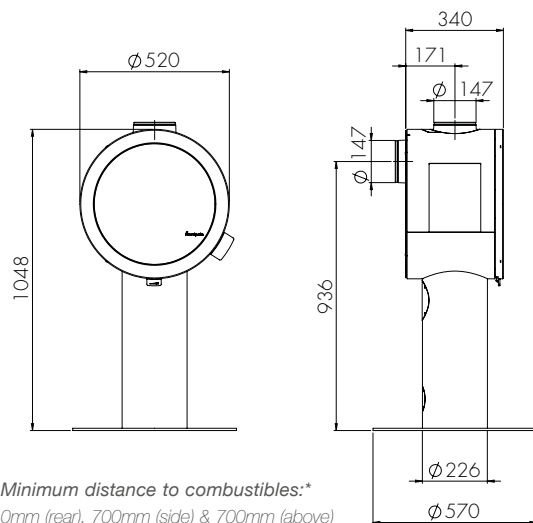
P 6 - 9



**Minimum distance to combustibles:\*** 100mm (rear), 700mm (side) & 700mm (above)

ME - Pedestal

P 6 - 9

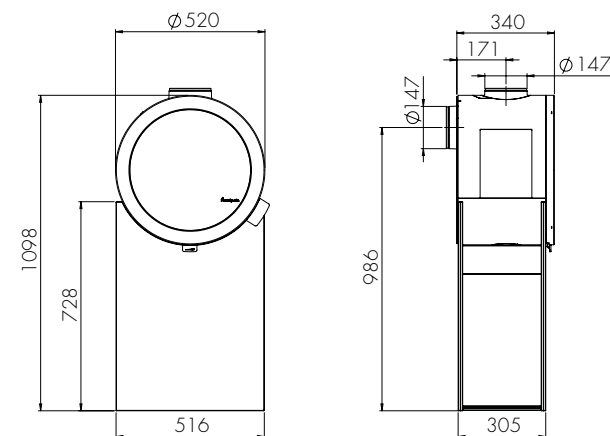


**Minimum distance to combustibles:\***

0mm (rear), 700mm (side) & 700mm (above)

ME - Glass

P 6 - 9

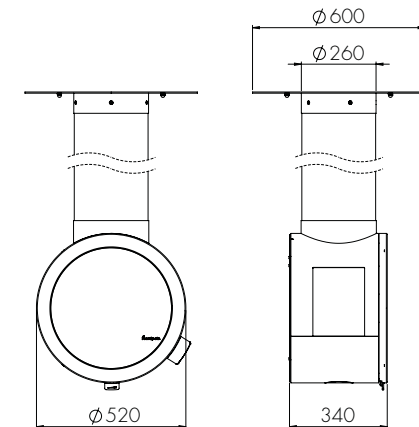


**Minimum distance to combustibles:\***

100mm (rear), 700mm (side) & 700mm (above)

ME - Ceiling

P 6 - 9



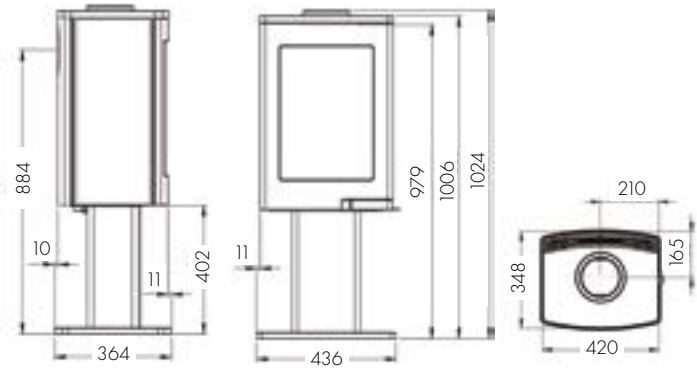
**Minimum distance to combustibles:\***

100mm (rear), 700mm (side) & 700mm (above)

\*An approved competent person of solid fuel installations should undertake a site survey prior to purchase and must install your stove or fire for you. You may also view or download complete installation instructions from our website - [www.nordpeis.co.uk](http://www.nordpeis.co.uk). The diagrams on these pages cover some of the basic requirements and are for initial information purposes only, please see installation instructions for further information.

### Uno 1

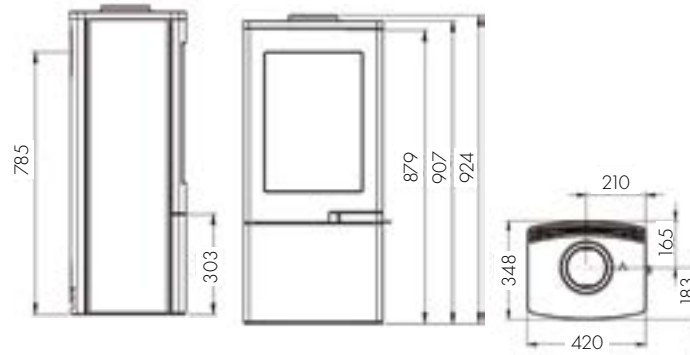
P 10 - 11



*Minimum distance to combustibles:\**  
150mm (rear), 500mm (side) & 600mm (above)

### Uno 4

P 12 - 13



*Minimum distance to combustibles:\**  
150mm (rear), 500mm (side) & 600mm (above)

### Duo 2

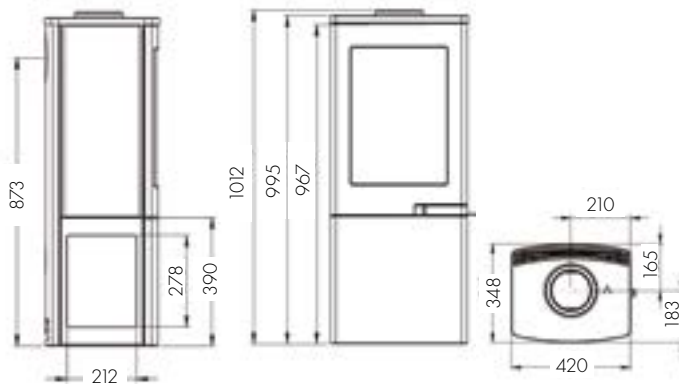
P 16 - 17



*Minimum distance to combustibles:\**  
100mm (rear), 400mm (side) & 600mm (above)

### Uno 2

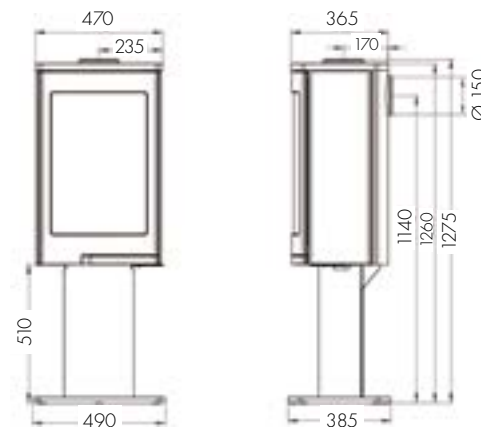
P 12 - 13



*Minimum distance to combustibles:\**  
150mm (rear), 500mm (side) & 600mm (above)

### Duo 1

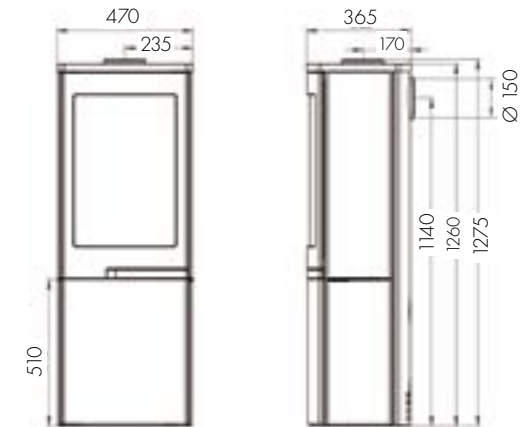
P 14 - 15



*Minimum distance to combustibles:\**  
100mm (rear), 400mm (side) & 600mm (above)

### Duo 4

P 18 - 19



*Minimum distance to combustibles:\**  
100mm (rear), 400mm (side) & 600mm (above)

# Technical Information

## Duo 5

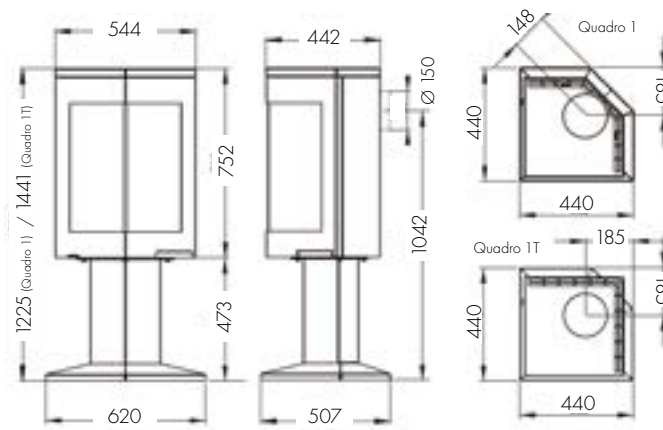
P 20 - 21



Minimum distance to combustibles:\*  
100mm (rear), 400mm (side) & 600mm (above)

## Quadro 1 / 1T

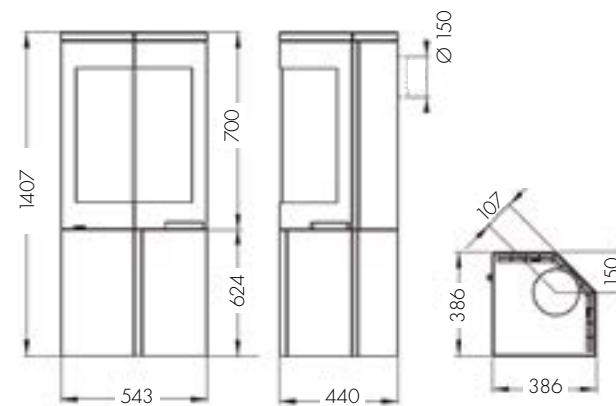
P 22 - 23



Minimum distance to combustibles:\*  
150mm (rear) & 800mm (side)

## Quadro 2 Colorado

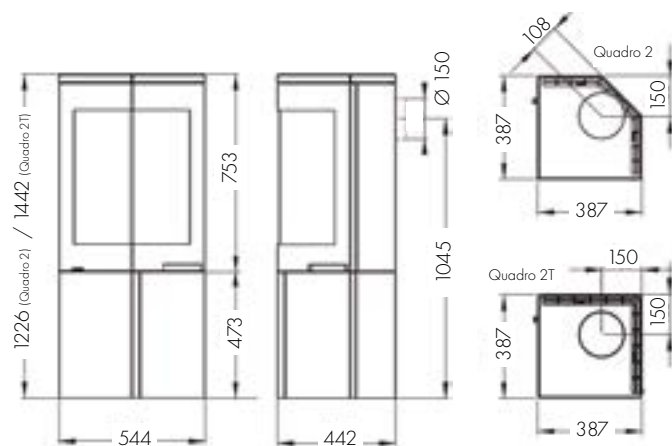
P 24 - 25



Minimum distance to combustibles:\*  
150mm (rear) & 800mm (side)

## Quadro 2 / 2T

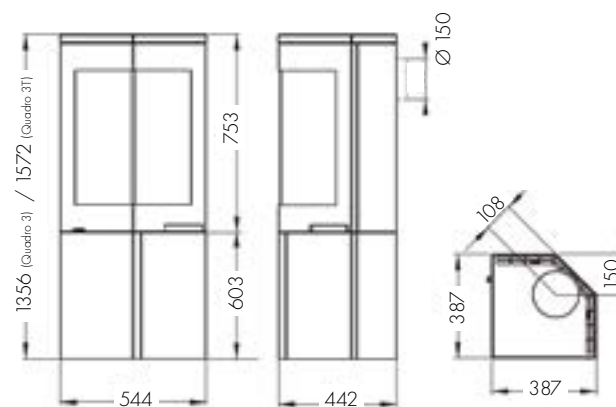
P 24 - 25



Minimum distance to combustibles:\*  
150mm (rear) & 800mm (side)

## Quadro 3 / 3T

P 26 - 27



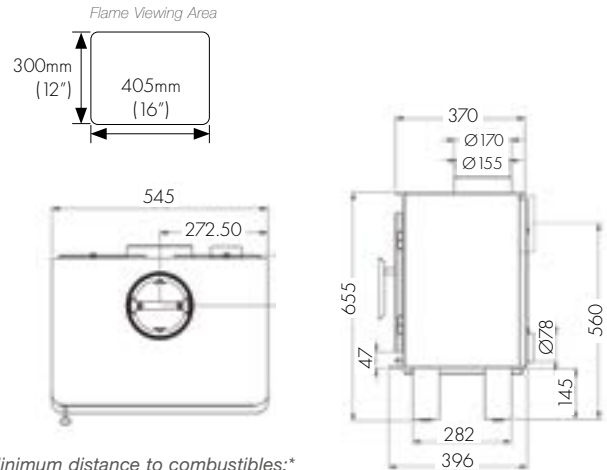
Minimum distance to combustibles:\*  
150mm (rear) & 800mm (side)



\*An approved competent person of solid fuel installations should undertake a site survey prior to purchase and must install your stove or fire for you. You may also view or download complete installation instructions from our website - [www.nordpeis.co.uk](http://www.nordpeis.co.uk). The diagrams on these pages cover some of the basic requirements and are for initial information purposes only, please see installation instructions for further information.

## Bergen

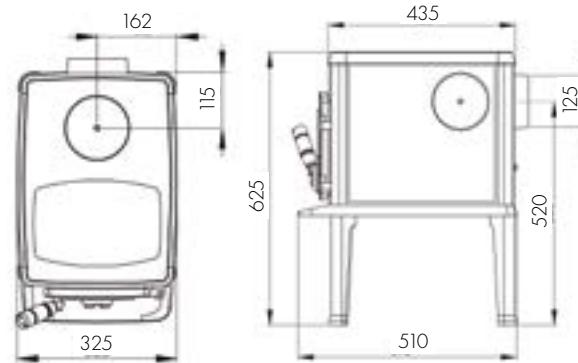
P 28 - 29



Minimum distance to combustibles:\*  
 200mm (rear) & 400mm (side)

## Orion

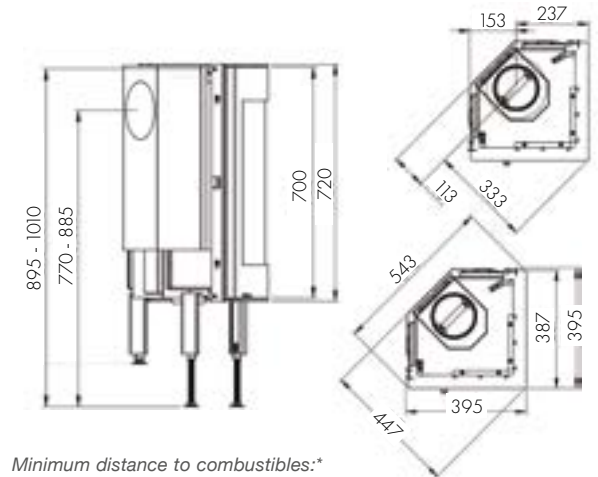
P 32 - 33



Minimum distance to combustibles:\*  
 600mm (rear) & 600mm (side)

## S-31A (for Odense surround)

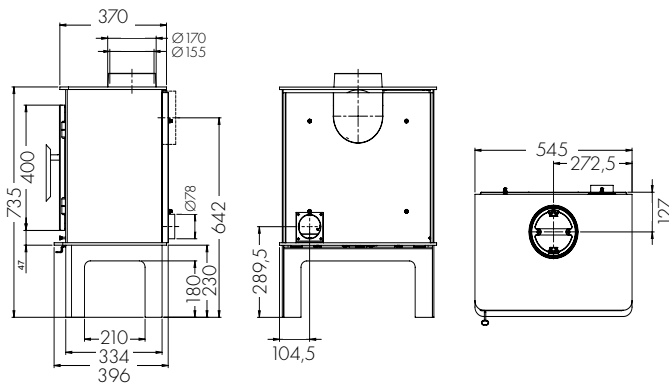
P 34 - 35



Minimum distance to combustibles:\*  
 Please see installation instructions

## Glasgow

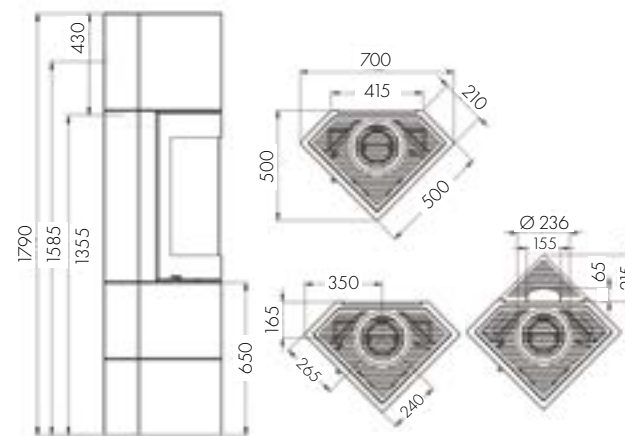
P 30 - 31



Minimum distance to combustibles:\*  
 200mm (rear) & 400mm (side)

## Odense Surround

P 34 - 35



Minimum distance to combustibles:\*  
 Please see installation instructions



# Accessories

## Care of your Stove or Fireplace

To help you get the best performance from your stove or fireplace and keep it in good condition, inside and out, Stovax (Nordpeis' distributor in the UK and Republic of Ireland) offers a wide range of cleaning and maintenance products and fireplace accessories.



Your Nordpeis retailer will be able to give you full details or you can view the complete range online at [www.stovax.com](http://www.stovax.com).





# Professional XQ™ Chimney Systems

Nordpeis recommends the Stovax Professional XQ™ range of comprehensive stove and fireplace chimney systems. Crafted from 304L grade stainless steel for a durable outer finish, the fully sealed components offer water tight protection for the insulation within.

With innovative decorative options, the ability to specify a colour for your system, and with a host of technical advancements such as its Twist-Lock system, the Stovax Professional XQ™ range provides an attractive, versatile and reliable solution for your flue system. Furthermore, the Stovax Professional XQ™ range carries a 10 Year Extended Warranty offering complete peace of mind.

For further information or to request a brochure, simply contact your local retailer or visit [www.stovax.com/chimneysystems](http://www.stovax.com/chimneysystems).



FOR HOMES  
WITHOUT A  
CHIMNEY!



**10**  
**YEAR**

EXTENDED  
WARRANTY

# WIN

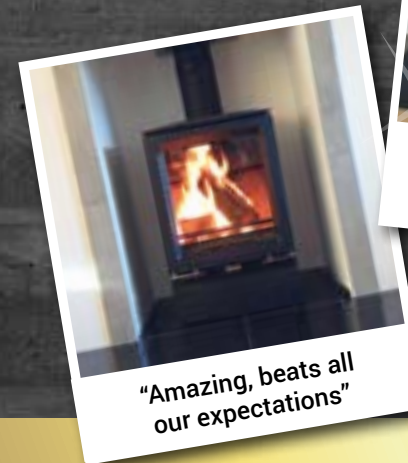
 the cost of your product back!\*

For further home inspiration you can view real life installations on the Stovax Customer Showcase page (Nordpeis's distributor in the UK and Republic of Ireland), and share your thoughts and photos of your new stove or fire installation to enter our draw!

- We will publish your entry on our Customer Showcase
- You will be entered into a draw for the chance to win the cost of your product back
- **Gain a second entry** by registering your product online for your free extended warranty at [stovax.com/registration](http://stovax.com/registration)



"We are still over the moon that we won the competition"



"Amazing, beats all our expectations"

View real life installations and submit your review at  
**[stovax.com/customershowcase](http://stovax.com/customershowcase)**

\* Terms and conditions apply. See online for details

# Further Information



## Approved for Smoke Control Areas

Most town and city homes in the UK are located in Smoke Control Areas as designated by the Clean Air Act 1993.

To burn logs on a stove in these locations, the model installed must have been granted exemption from the regulations by the Government through DEFRA. This exemption is given only to appliances which have been independently tested to demonstrate particularly clean burning combustion. Many stoves in this brochure are approved for use in Smoke Control Areas and this is shown on each relevant product page. Your Nordpeis retailer can give you further help and advice.



## Product Warranty & Improvement

Nordpeis pursue a policy of constant product improvement. Products supplied may therefore differ in specification from those illustrated or described in this brochure, and you should always check the final specification with your Nordpeis retailer.

Your Nordpeis Expert Retailer will provide you with a Two Year Warranty for your new woodburning stove or fire. This can be extended to a Five Year Warranty by registering your appliance with us. Please note, these warranties exclude certain consumable parts and are dependant on your appliance being serviced by an appropriately qualified person 12 months after installation and annually thereafter.

Stoves and fires purchased outside of Nordpeis' Expert Retailer Network will carry a standard One Year Non-Extendable Warranty or the minimum statutory warranty for your country. Full details of this warranty are set out to view on our website at [www.nordpeis.co.uk](http://www.nordpeis.co.uk).



## Important Safety & Technical Information

We recommend that an approved competent person of solid fuel installations should undertake a site survey prior to purchase and it is a requirement that any Nordpeis stove or fire should be installed by an appropriately qualified installer.

Please note that the installations shown within this brochure may not conform to British and Irish building regulations. Please consult with a qualified professional installer for expert advice including the requirement for a hearth in your home.

All fires and stoves consume air as they burn. To comply with Building Regulations (Document J) you may need to install a fixed air vent to ensure adequate ventilation. A room vent is not normally required when the air permeability is greater than 5.0m<sup>3</sup>/hr/m<sup>2</sup>.

The 'Nominal' heat output is to be used for calculating the ventilation provision as required by ADJ Building Regulations and for calculating its suitability for heating the size

of room it will be fitted into. The heat output 'Range' is to be used as a guide only as the maximum and minimum performance will depend on local conditions e.g. flue pull, fuel quality and, importantly, the way in which the product is used.

Your Nordpeis retailer or approved installer will be able to advise on this. You can also download detailed installation instructions prior to purchase from [www.nordpeis.co.uk](http://www.nordpeis.co.uk). Furthermore, by law all installations also require a Carbon Monoxide Monitor be supplied and fitted.

Please note that all parts of these stoves and fires, particularly the glass panel in the door, become extremely hot during operation and can result in serious injury and burns if touched.

It is therefore recommended that a fireguard complying with BS 8423 (Latest Version) is used in the presence of young children, the elderly or infirm.





Bergen

# Nordpeis

United Kingdom & Republic of Ireland distributors for Nordpeis:

**Stovax Limited**  
Falcon Road, Sowton Industrial Estate,  
Exeter, Devon EX2 7LF

UK Trade Sales: 01392 474000

Export Trade Sales Republic of Ireland: 00 44 1392 261990

E-mail: [nordpeis@stovax.com](mailto:nordpeis@stovax.com)

[nordpeis.co.uk](http://nordpeis.co.uk)



## Find Your Retailer

You can find your nearest retailer by visiting:  
[www.nordpeis.co.uk/retailers](http://www.nordpeis.co.uk/retailers)



Your local Nordpeis retailer:

NORDPEIS0123



© All material copyright Stovax Ltd 2023 E & O E

Paper sourced from sustainable forests and printed using vegetable based inks